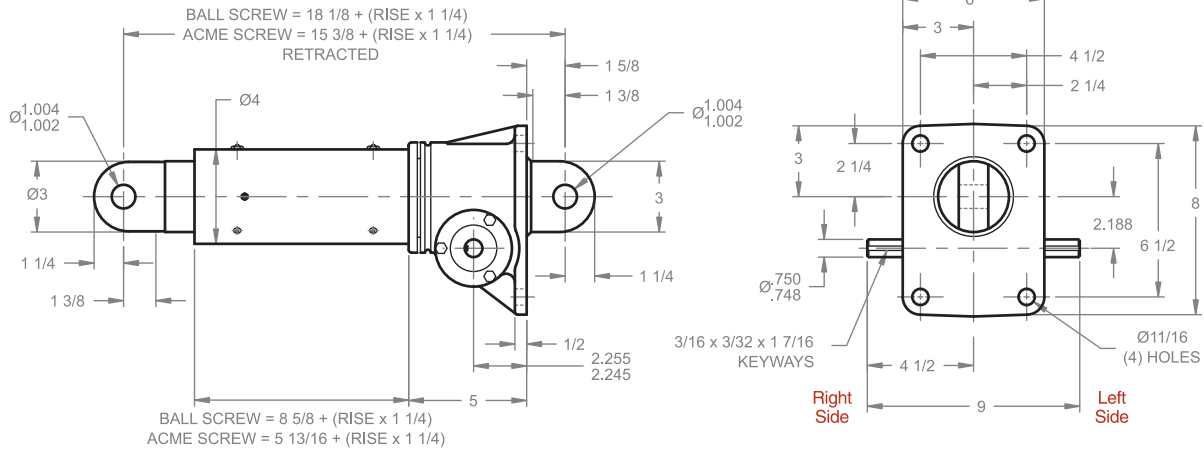


ELECTRIC CYLINDERS

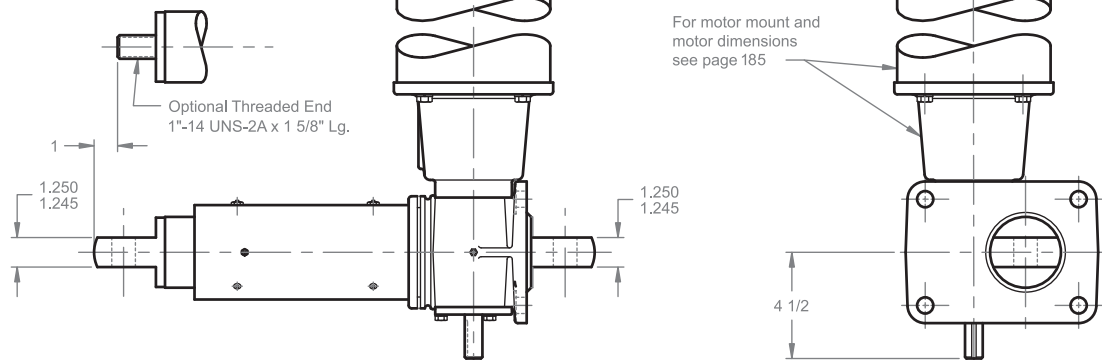
5 TON ELECTRIC CYLINDER

ECA (ACME SCREW)
ECB (BALL SCREW)

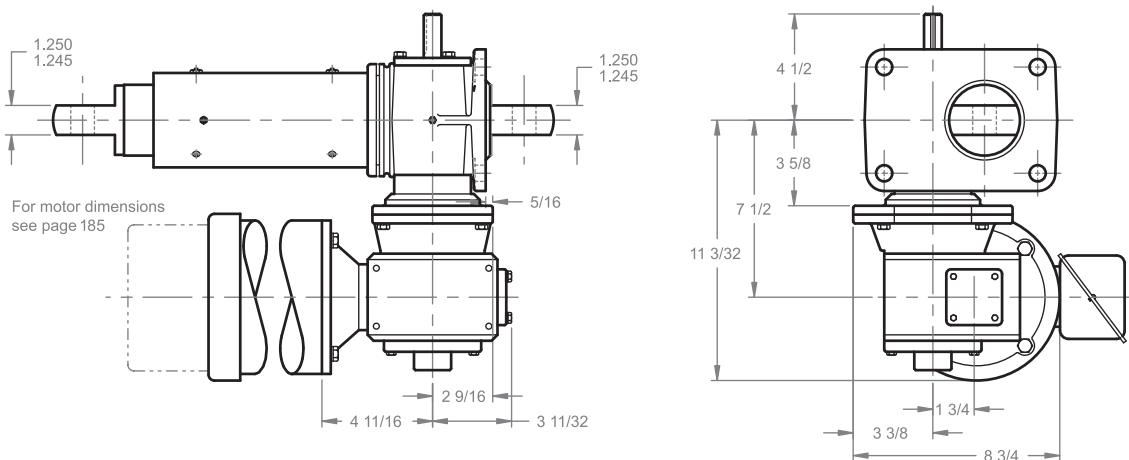
STANDARD



MOTOR MOUNT



ComDRIVE®



NOTE: FOR CAPACITY AND MAXIMUM RISE SEE PAGE 127.

Note: Drawings are artist's conception — not for certification; dimensions are subject to change without notice.