

# INTEGRATED ACTUATORS OPTIONS

## Motors

Standard 56C-NEMA frame motors are available in:

### AC Motors

- 1/4, 1/3, 1/2, and 3/4 HP
- 1140 or 1725 rpm
- Single or three phase
- With or without brake

### DC Motors

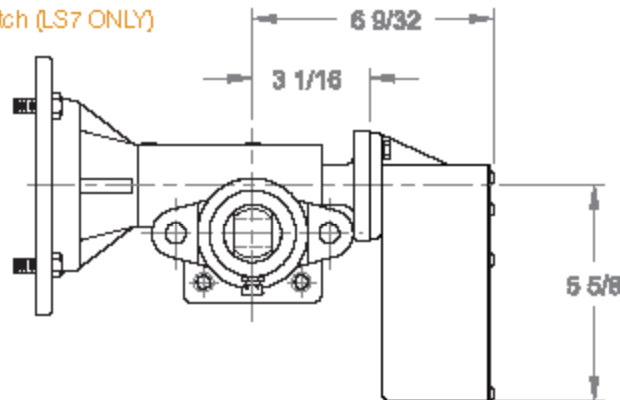
- 1/4, 1/3, 1/2, and 3/4 HP
- 1750 rpm or 1800 rpm
- 90 and 180 volts

## Ring Encoders

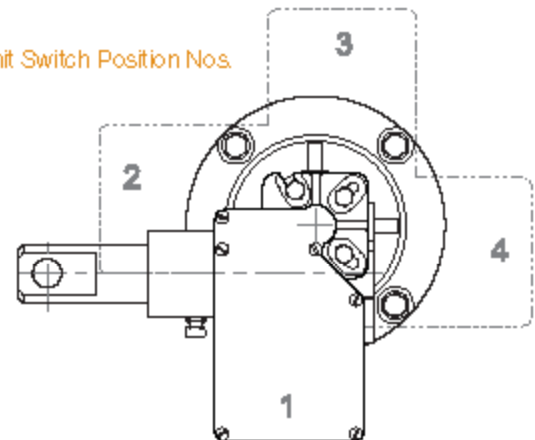
See pages 7 and 178.

Contact Joyce/Dayton with your requirements.

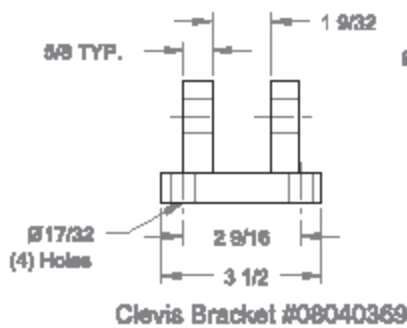
### Limit Switch (LS7 ONLY)



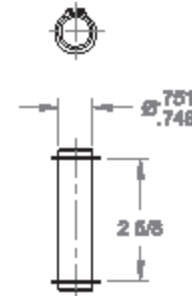
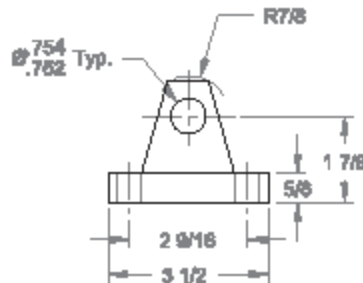
### Limit Switch Position Nos.



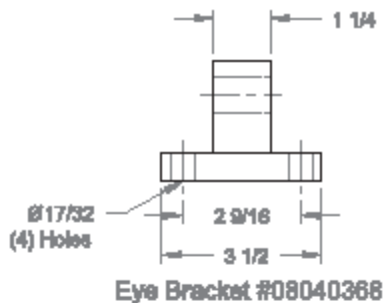
### Clevis Accessories



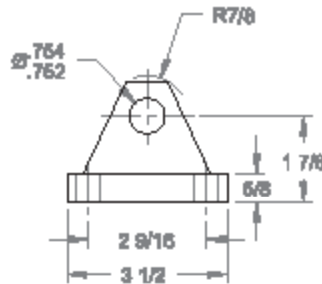
Clevis Bracket #08040369



Pivot Pin  
With Retaining Rings  
CP-30



Eye Bracket #08040368



Note: Drawings are artist's conception — not for certification; dimensions are subject to change without notice.