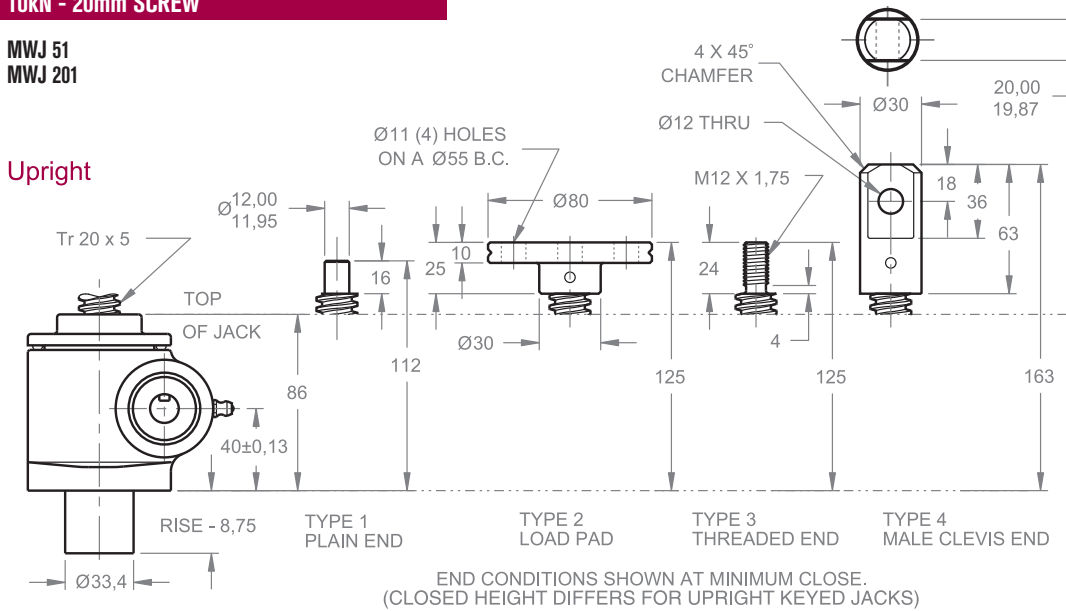


# METRIC SCREW JACKS

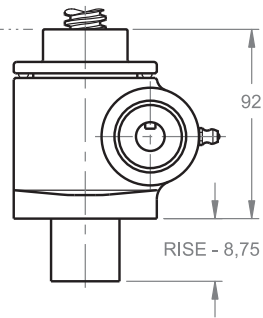
10kN - 20mm SCREW

MWJ 51  
MWJ 201

Upright

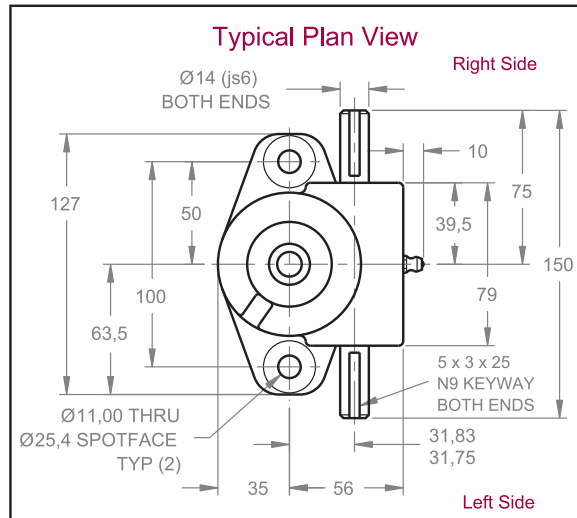
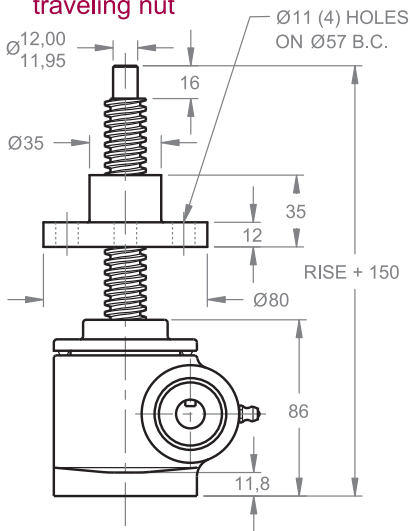


Upright keyed

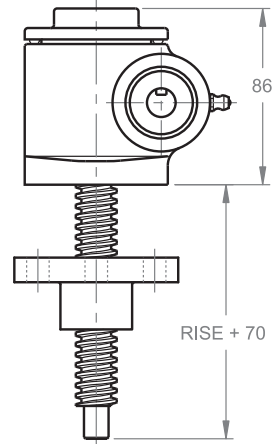


END CONDITIONS SHOWN AT MINIMUM CLOSE.  
(CLOSED HEIGHT DIFFERS FOR UPRIGHT KEYPED JACKS)

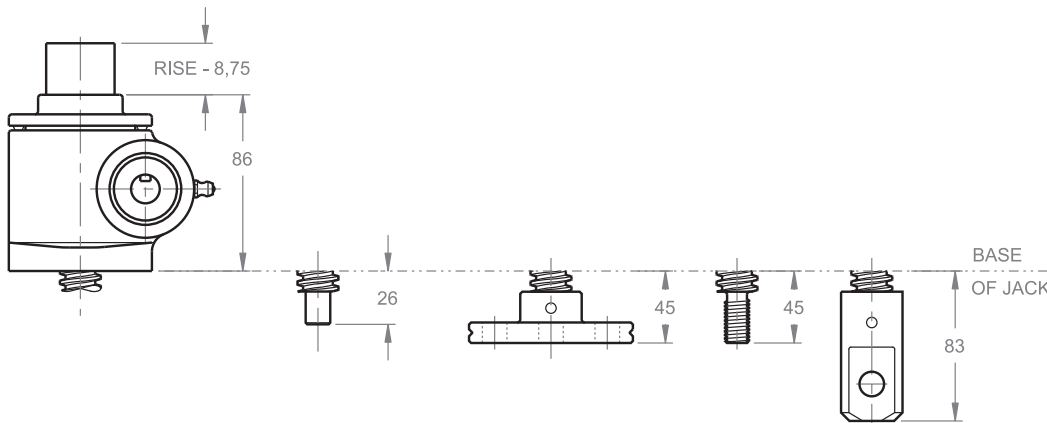
Upright traveling nut



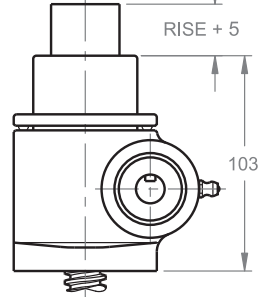
Inverted traveling nut



Inverted



Inverted keyed



Note: Drawings are artist's conception — not for certification; dimensions are subject to change without notice.