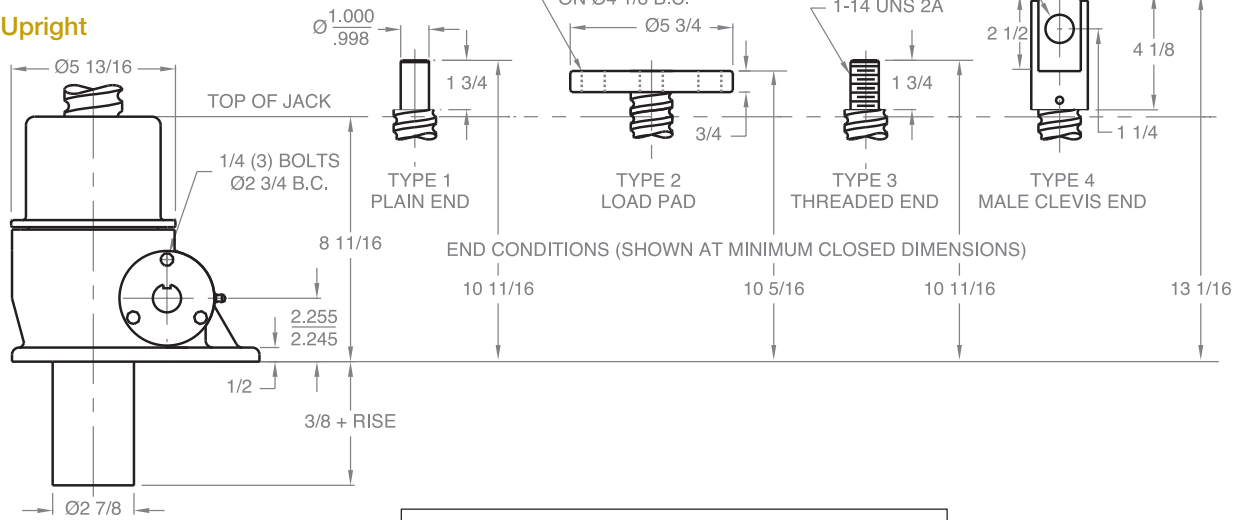


BALL SCREW JACKS

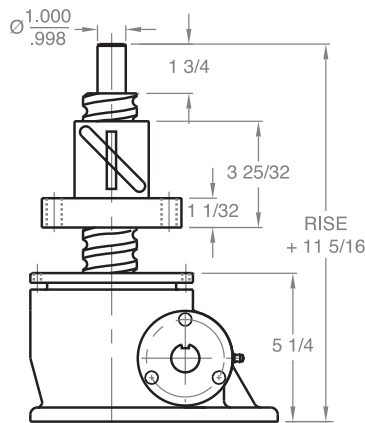
10 TON - 1 1/2" SCREW STANDARD HIGH LEAD

HWBL 810 / HWBL 2410

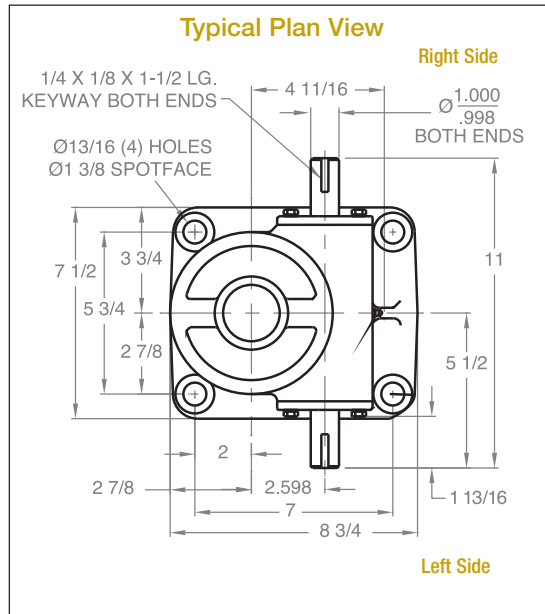
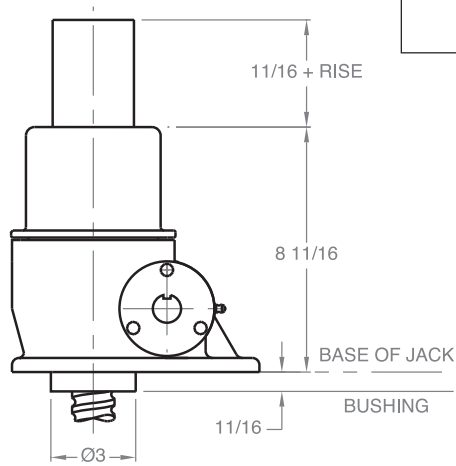
Upright



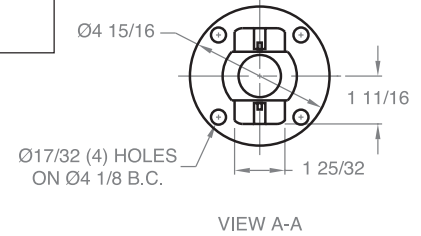
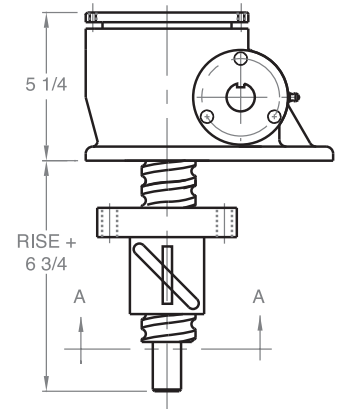
Upright traveling nut



Inverted



Inverted traveling nut



FOR DOUBLE CLEVIS DESIGN
CONTACT JOYCE/DAYTON

Note: Drawings are artist's conception — not for certification; dimensions are subject to change without notice.