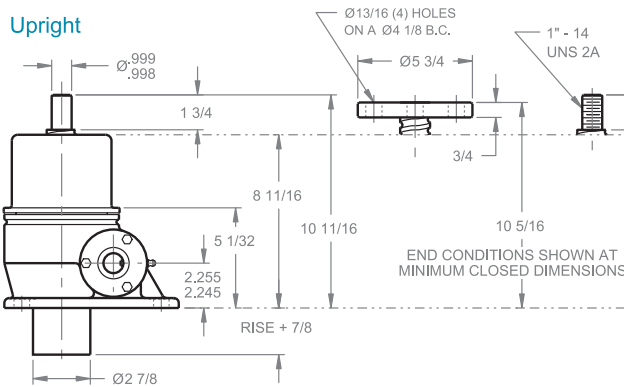


BALL SCREW ComDRIVES®

10 TON - 1 1/2" SCREW STANDARD HIGH LEAD

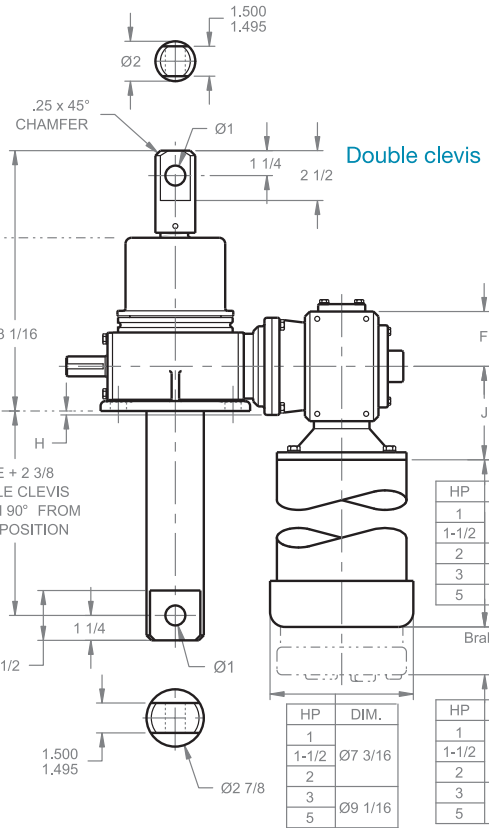
CDHBL 810
CDHBL 2410

Upright

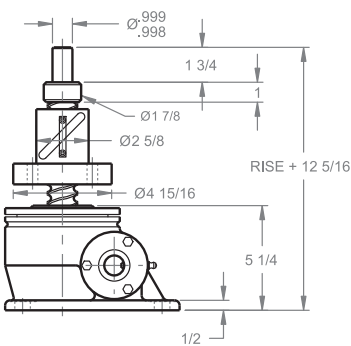


REDUCER DIMENSIONS

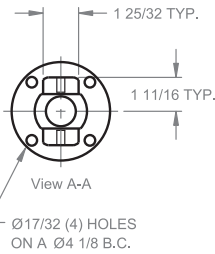
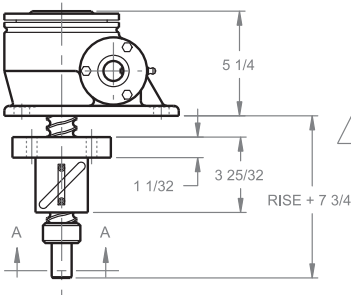
HP	1, 1 1/2, 2	3, 5
A	8 11/32	8 29/32
B	11 21/32	13 17/32
C	1 3/4	2 5/8
D	3 3/8	4 7/16
E	8 7/16	11 11/16
F	2 3/4	3 7/8
G	4 15/32	4 15/32
H	0	1 1/8
J	4 11/16	5 3/4
K	3 11/32	4 5/16



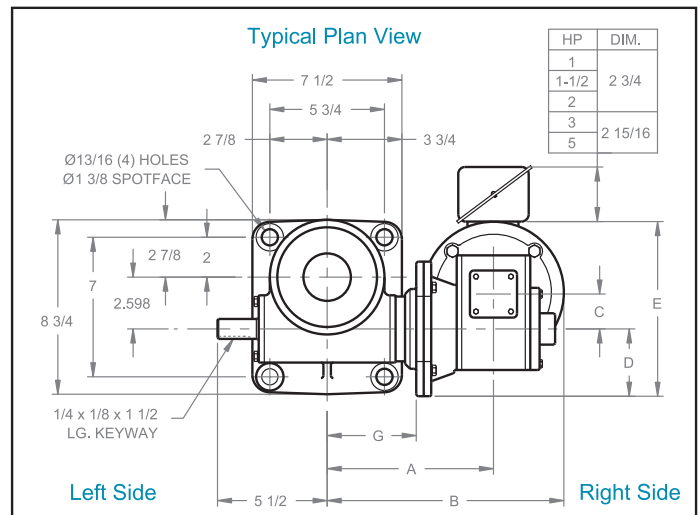
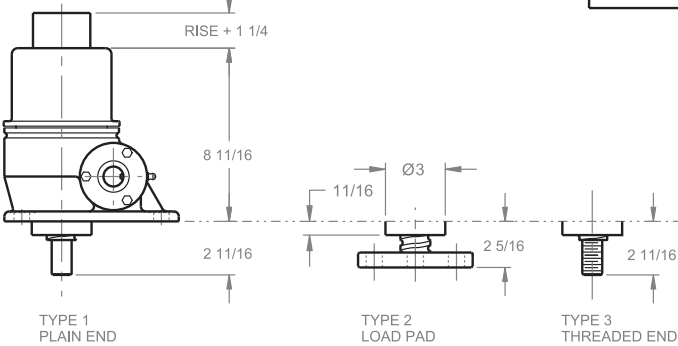
Upright traveling nut



Inverted traveling nut

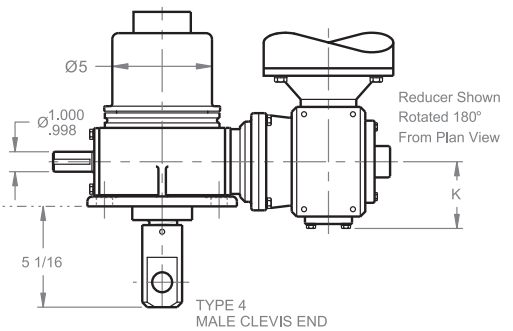


Inverted



Left Side

Right Side



NOTE: FOR LIFTING CAPACITIES SEE PAGE 107.

Note: Drawings are artist's conception — not for certification; dimensions are subject to change without notice.