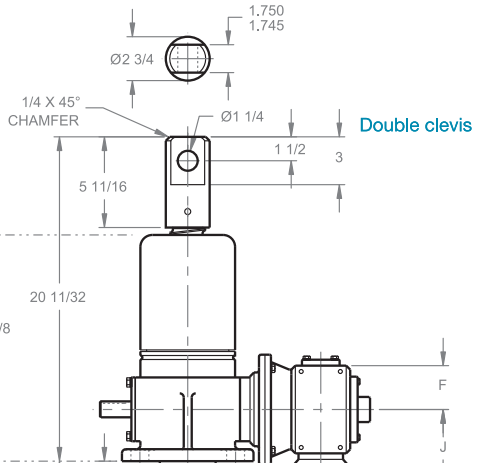
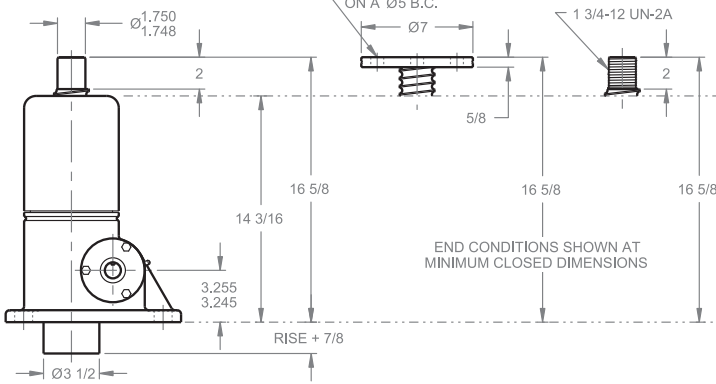


# BALL SCREW ComDRIVES®

## 20 TON - 2 1/4" SCREW STANDARD

CDB 820  
CDB 2420

Upright



REDUCER DIMENSIONS

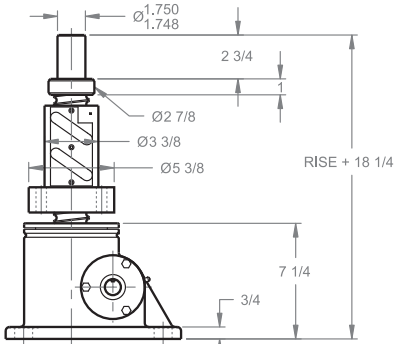
HP	1, 1 1/2, 2	3, 5
A	8 11/32	8 29/32
B	11 21/32	13 19/32
C	1 3/4	2 5/8
D	3 3/8	4 7/16
E	8 7/16	11 11/16
F	2 3/4	3 7/8
G	4 15/32	4 15/32
H	0	5/8
J	4 11/16	5 3/4
K	3 11/32	4 5/16

HP	DIM.
1	10 1/4
1-1/2	11 1/4
2	17 3/8
3	18 3/4

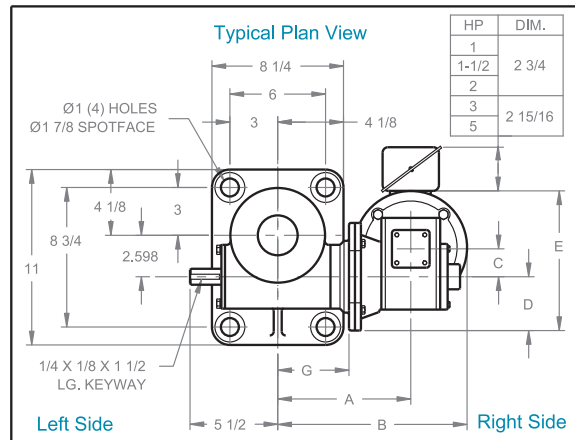
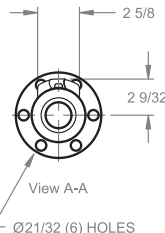
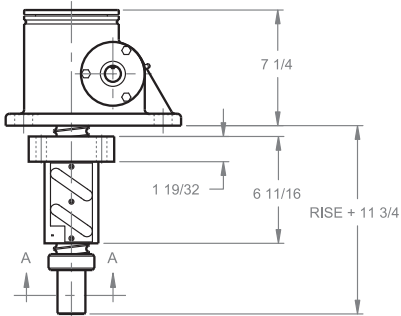
Brake (Optional)

HP	DIM.
1	4 9/16
1-1/2	4 9/16
2	7 9/16
3	7 9/16
5	7 9/16

Upright traveling nut

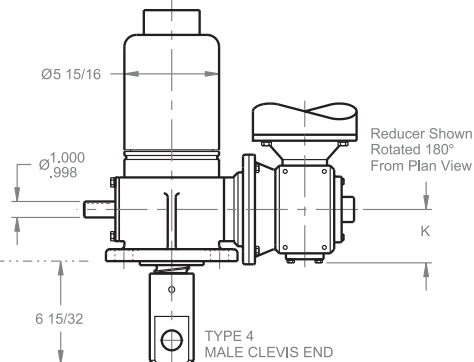
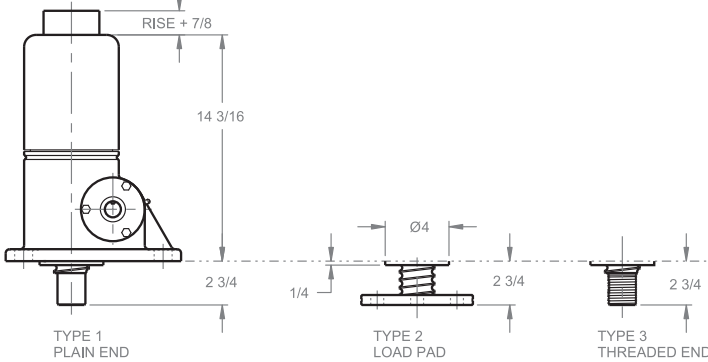


Inverted traveling nut



HP	DIM.
1	2 3/4
1-1/2	2 3/4
2	2 15/16
3	2 15/16
5	2 15/16

Inverted



NOTE: FOR LIFTING CAPACITIES SEE PAGE 107.

Note: Drawings are artist's conception — not for certification; dimensions are subject to change without notice.