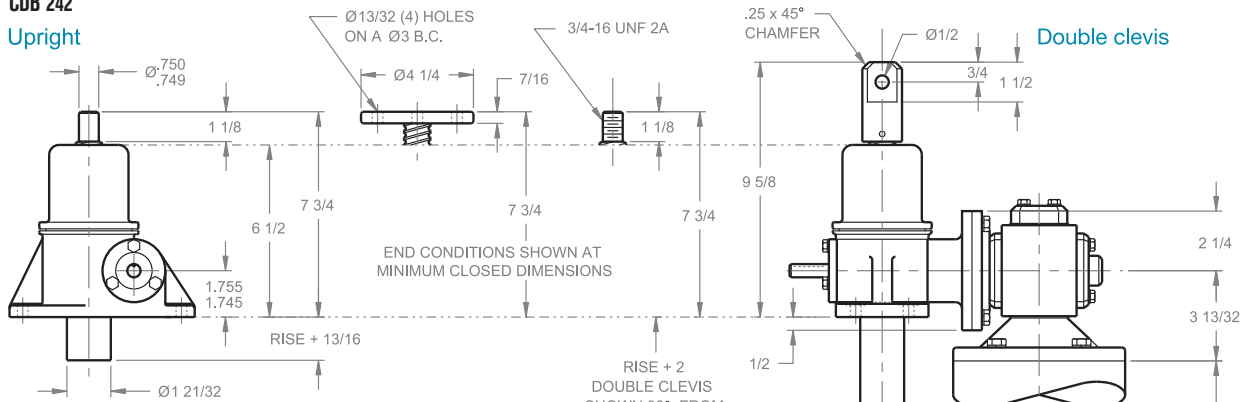


BALL SCREW ComDRIVES®

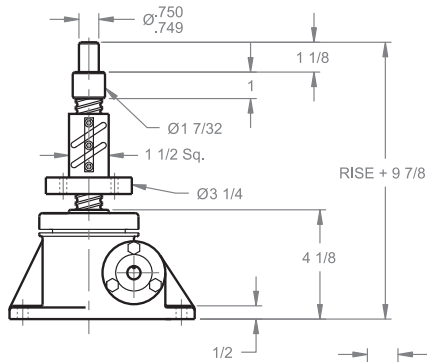
2 TON REVERSE BASE - 1" SCREW STANDARD

CDB 62
CDB 122
CDB 242

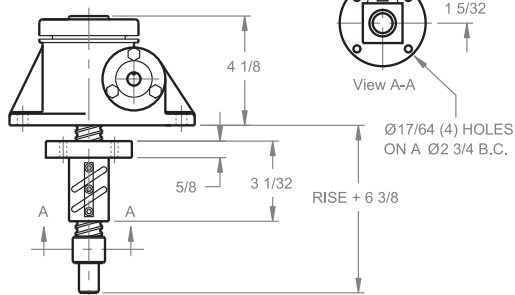
Upright



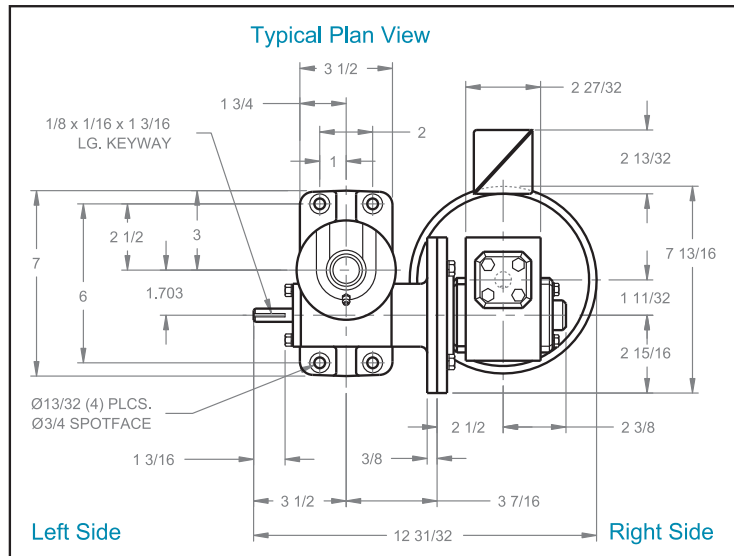
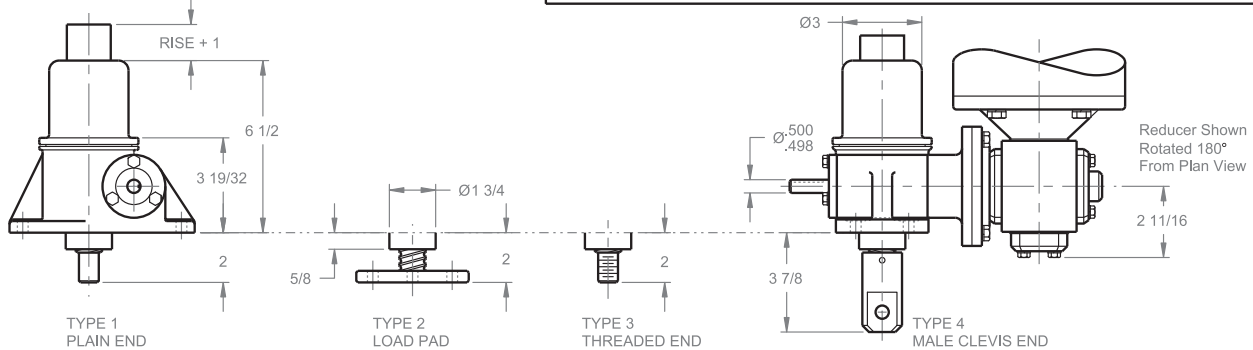
Upright traveling nut



Inverted traveling nut



Inverted



NOTE: FOR LIFTING CAPACITIES SEE PAGE 107.

Note: Drawings are artist's conception — not for certification; dimensions are subject to change without notice.