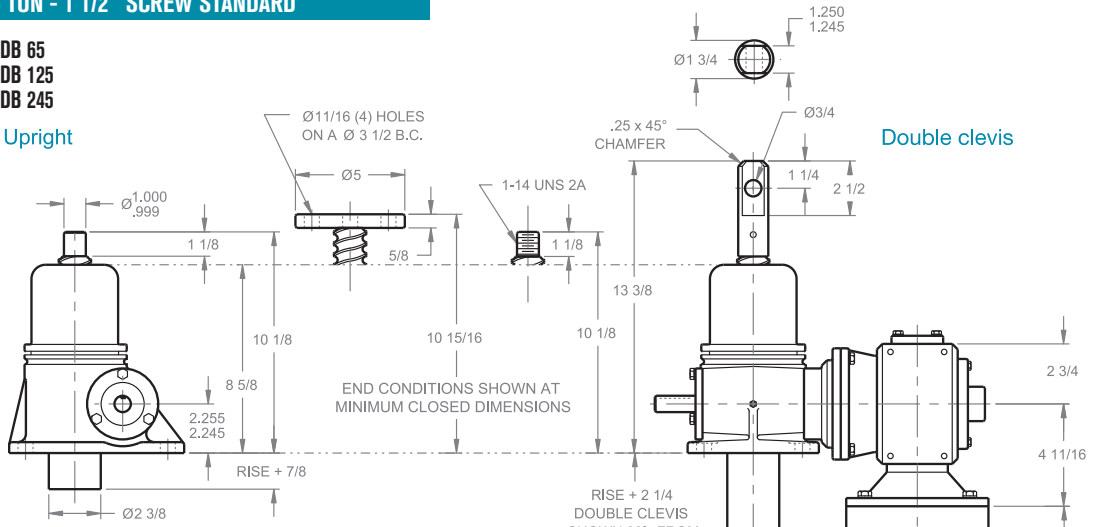


# BALL SCREW ComDRIVES®

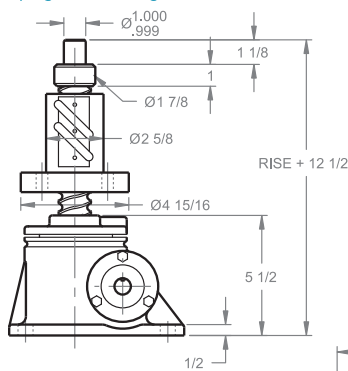
## 5 TON - 1 1/2" SCREW STANDARD

CDB 65  
CDB 125  
CDB 245

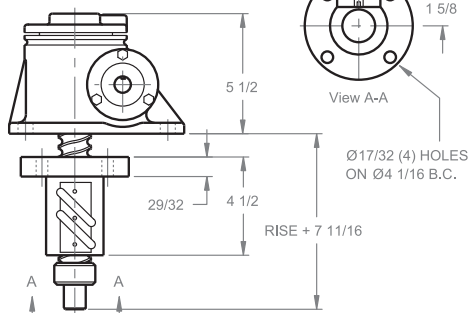
Upright



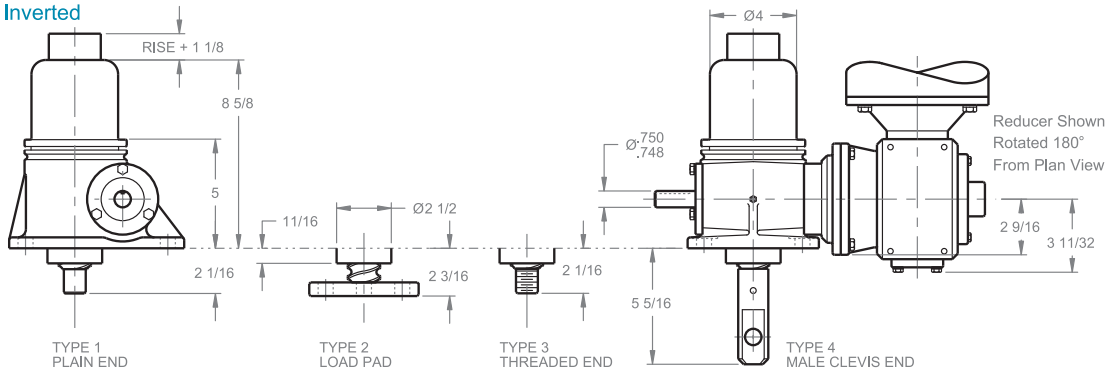
Upright traveling nut



Inverted traveling nut

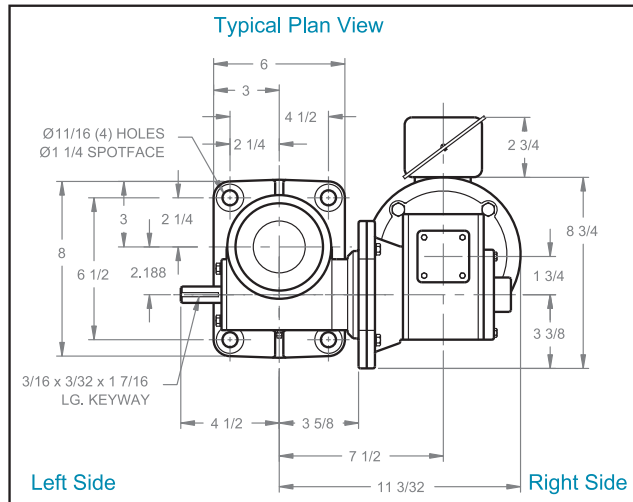


Inverted



NOTE: FOR LIFTING CAPACITIES SEE PAGE 107.

Note: Drawings are artist's conception — not for certification; dimensions are subject to change without notice.



Left Side

Right Side