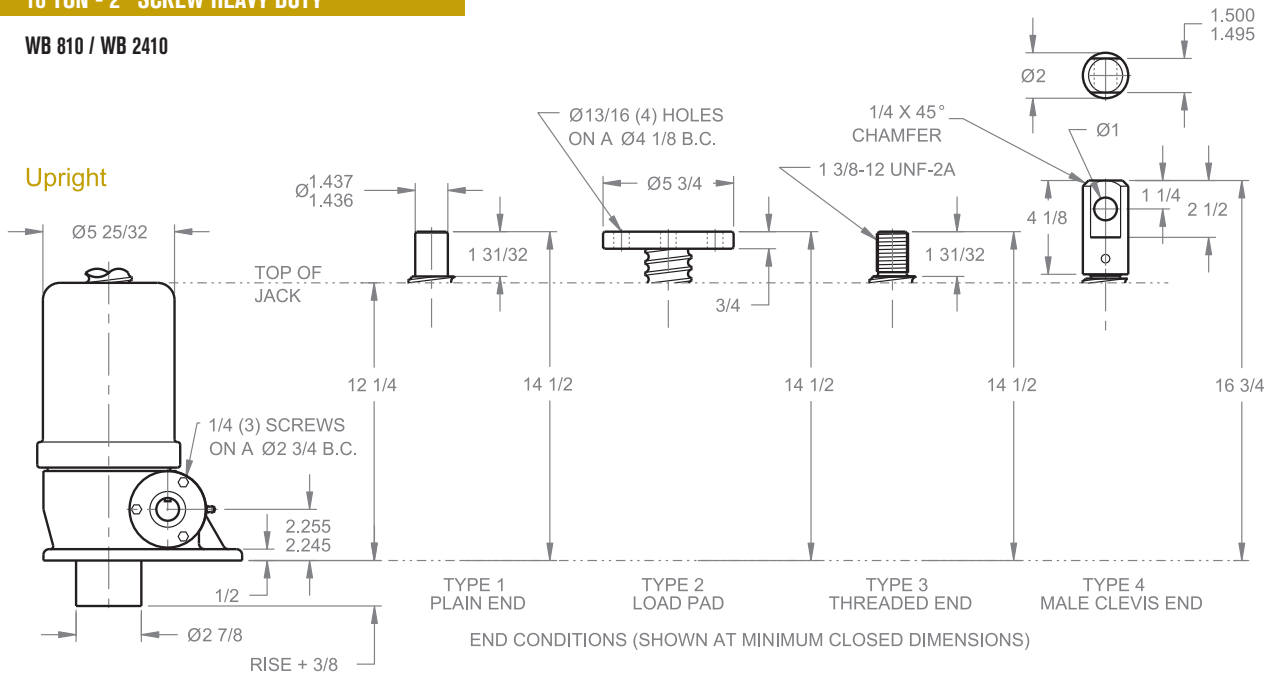


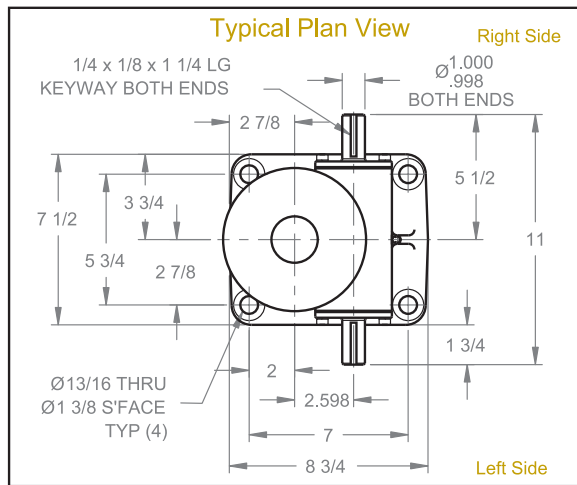
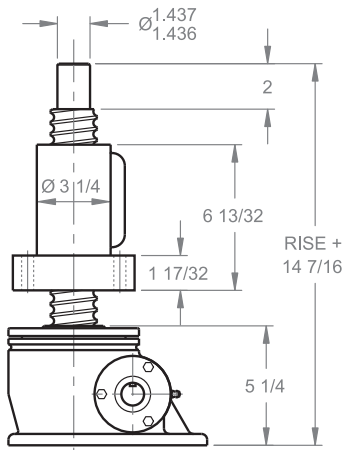
# BALL SCREW JACKS

## 10 TON - 2" SCREW HEAVY DUTY

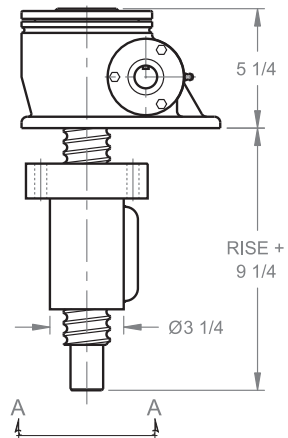
WB 810 / WB 2410



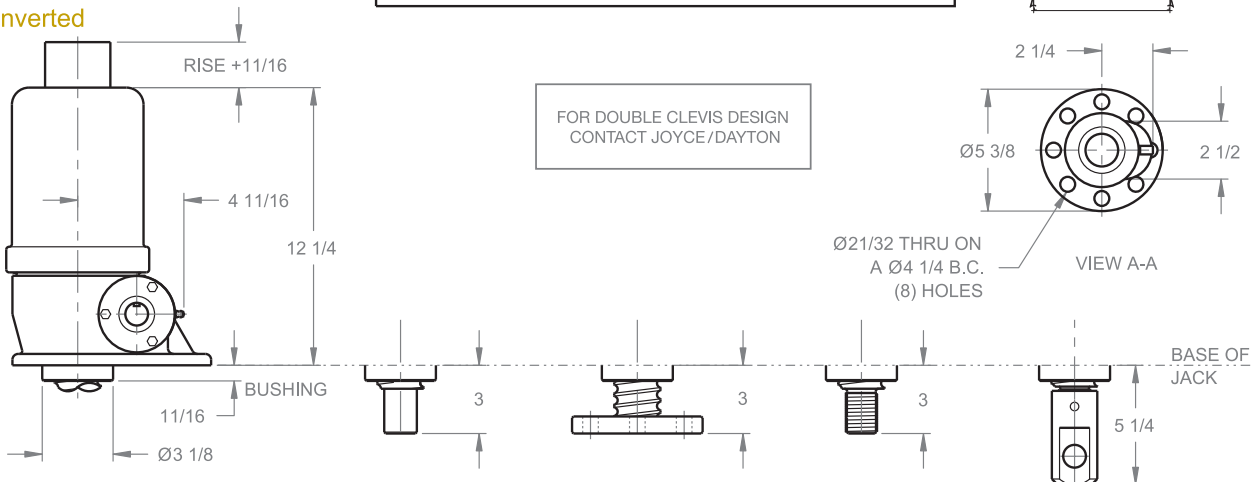
### Upright traveling nut



### Inverted traveling nut



### Inverted



Note: Drawings are artist's conception — not for certification; dimensions are subject to change without notice.