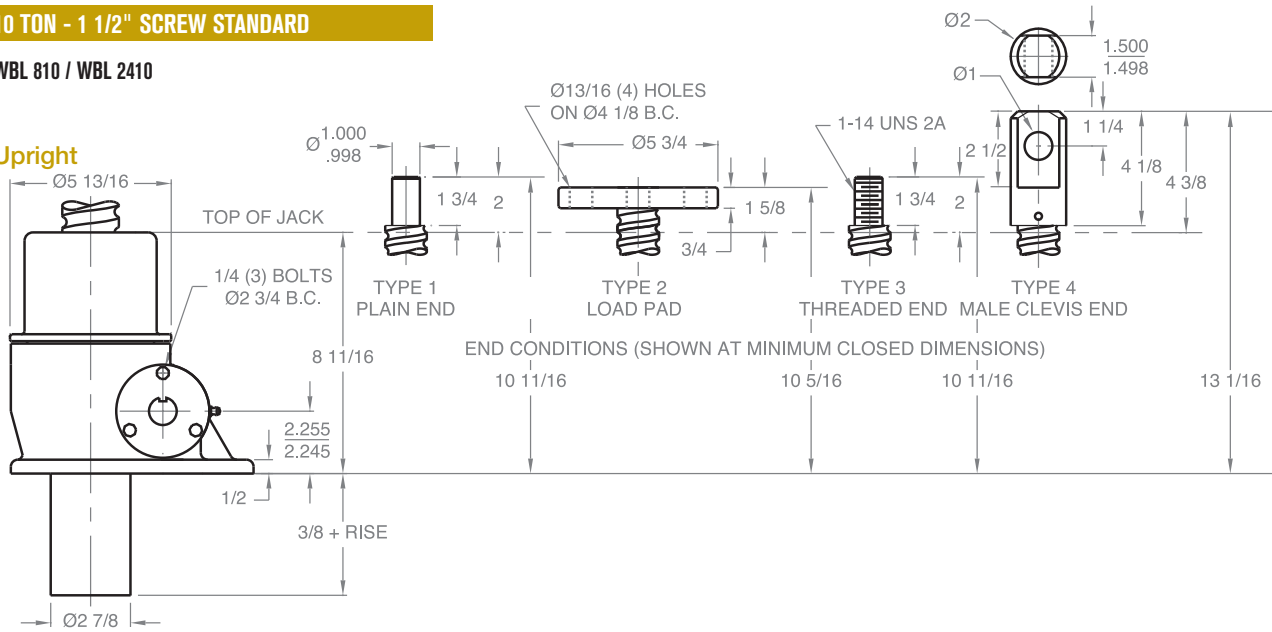


# BALL SCREW JACKS

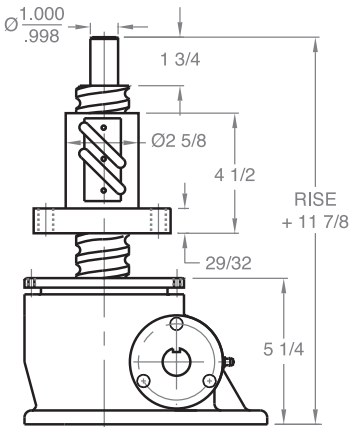
## 10 TON - 1 1/2" SCREW STANDARD

WBL 810 / WBL 2410

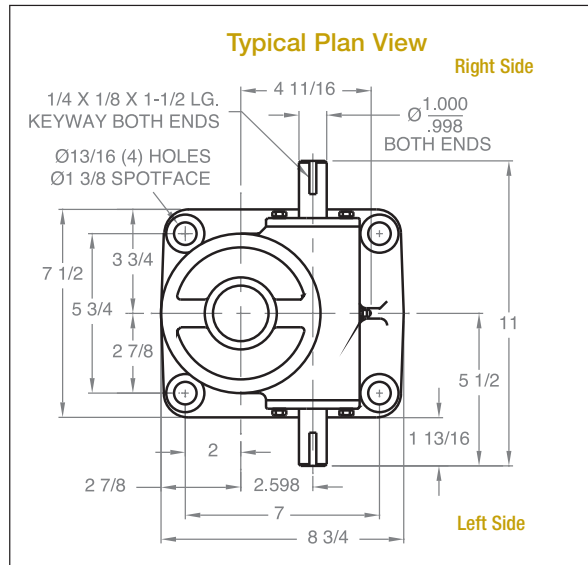
### Upright



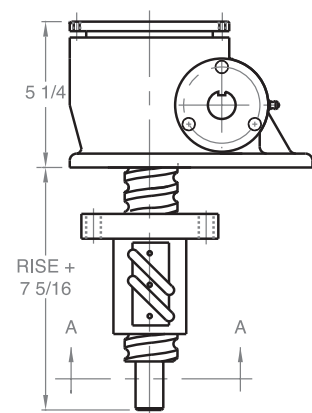
### Upright traveling nut



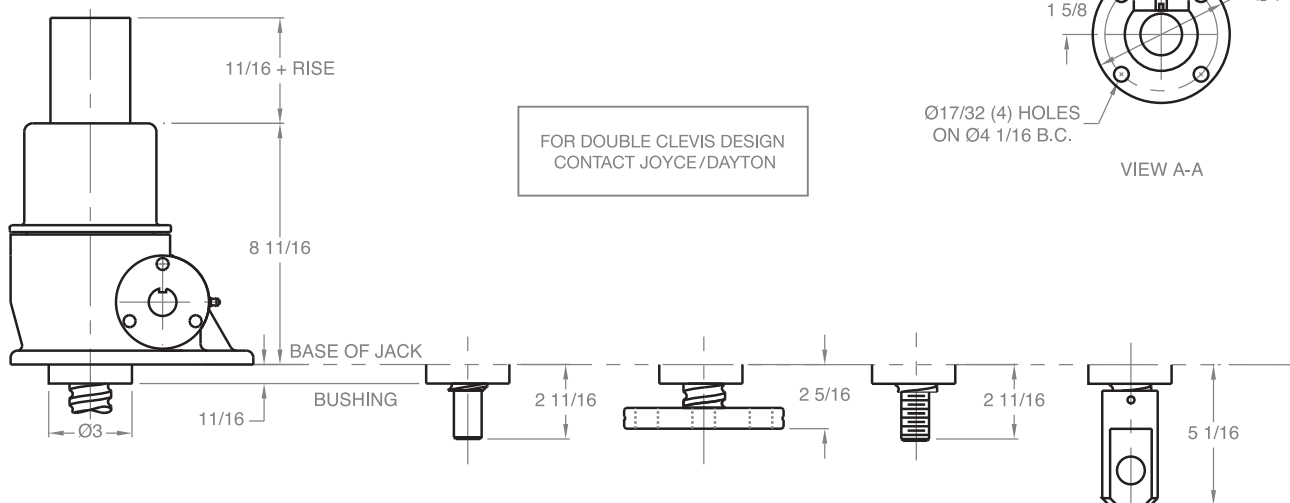
### Typical Plan View



### Inverted traveling nut



### Inverted



FOR DOUBLE CLEVIS DESIGN CONTACT JOYCE/DAYTON

Note: Drawings are artist's conception — not for certification; dimensions are subject to change without notice.