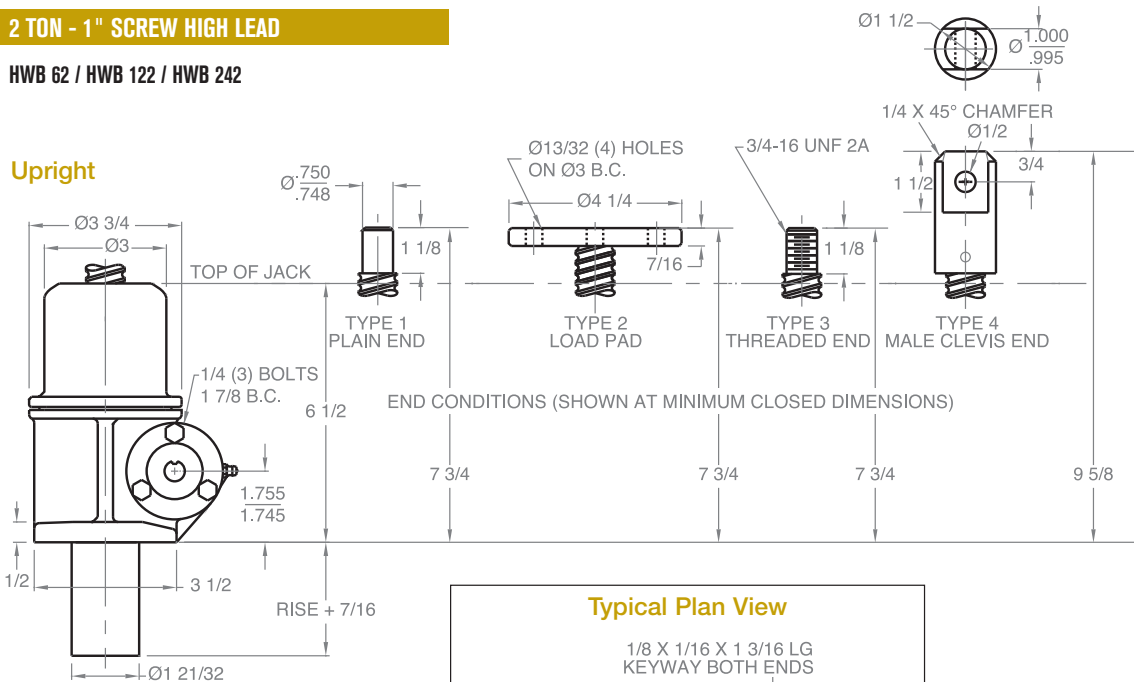


# BALL SCREW JACKS

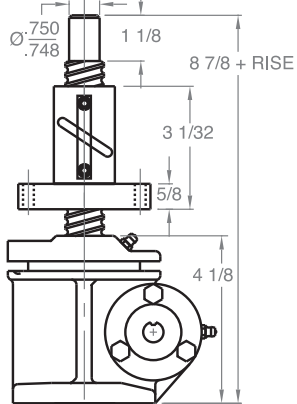
## 2 TON - 1" SCREW HIGH LEAD

HWB 62 / HWB 122 / HWB 242

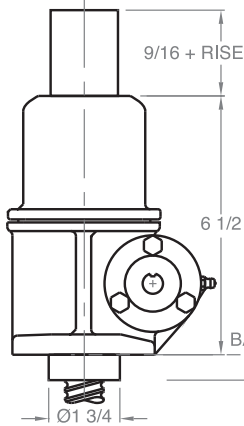
### Upright



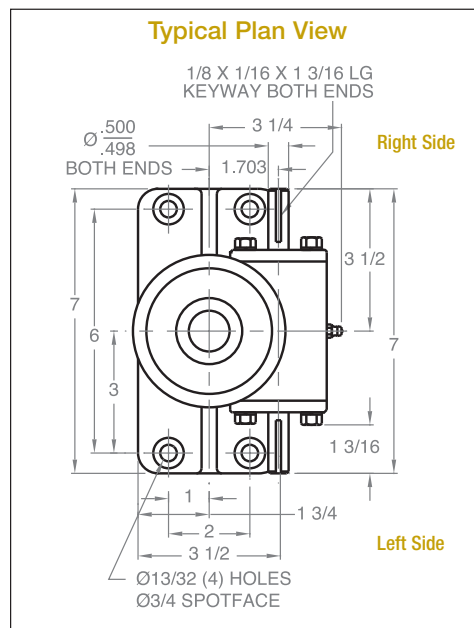
### Upright traveling nut



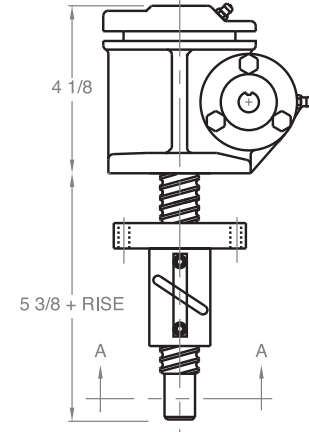
### Inverted



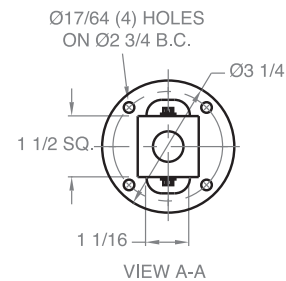
### Typical Plan View



### Inverted traveling nut



FOR DOUBLE CLEVIS DESIGN CONTACT JOYCE/DAYTON



Note: Drawings are artist's conception — not for certification; dimensions are subject to change without notice.