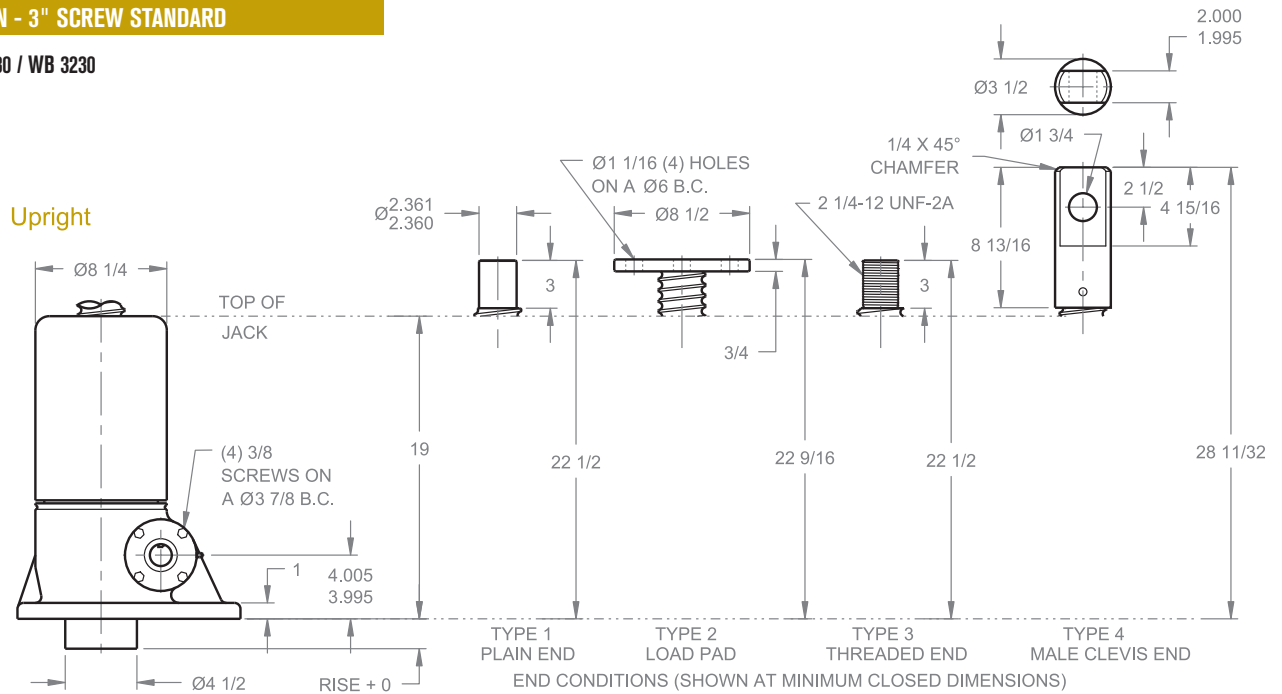


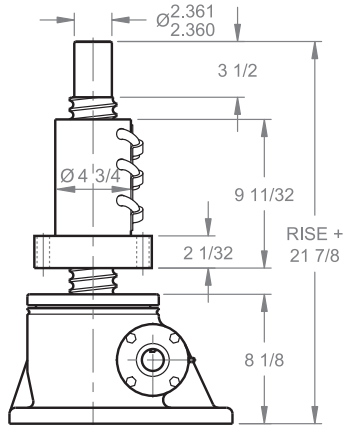
# BALL SCREW JACKS

30 TON - 3" SCREW STANDARD

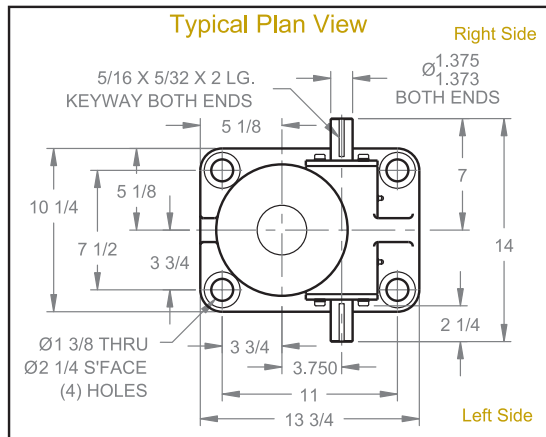
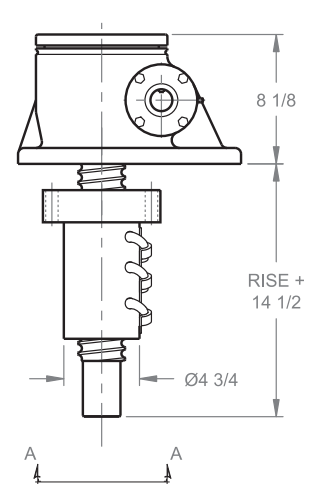
WB 1130 / WB 3230



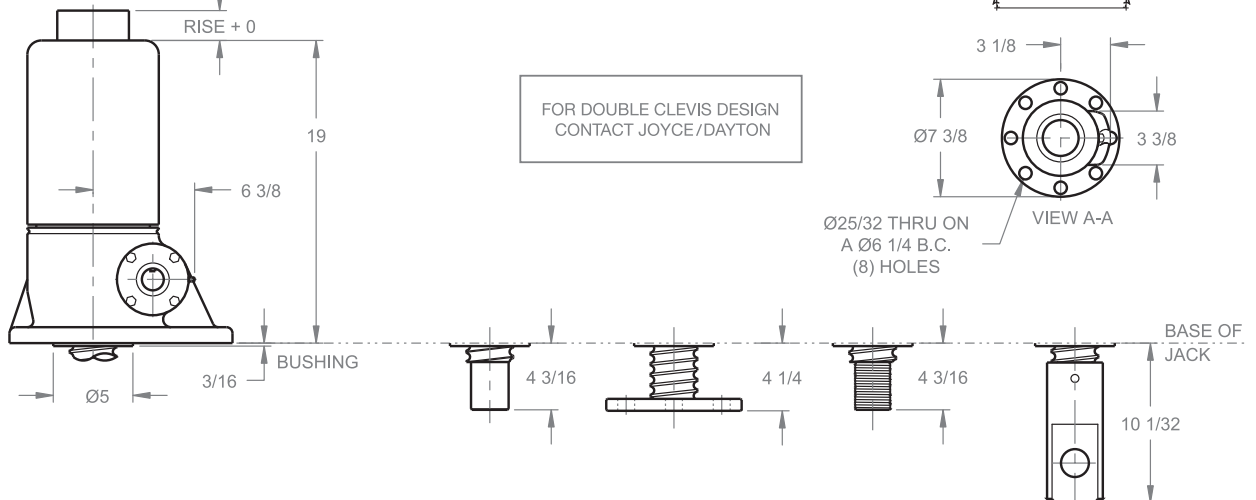
**Upright traveling nut**



**Inverted traveling nut**



**Inverted**



Note: Drawings are artist's conception — not for certification; dimensions are subject to change without notice.