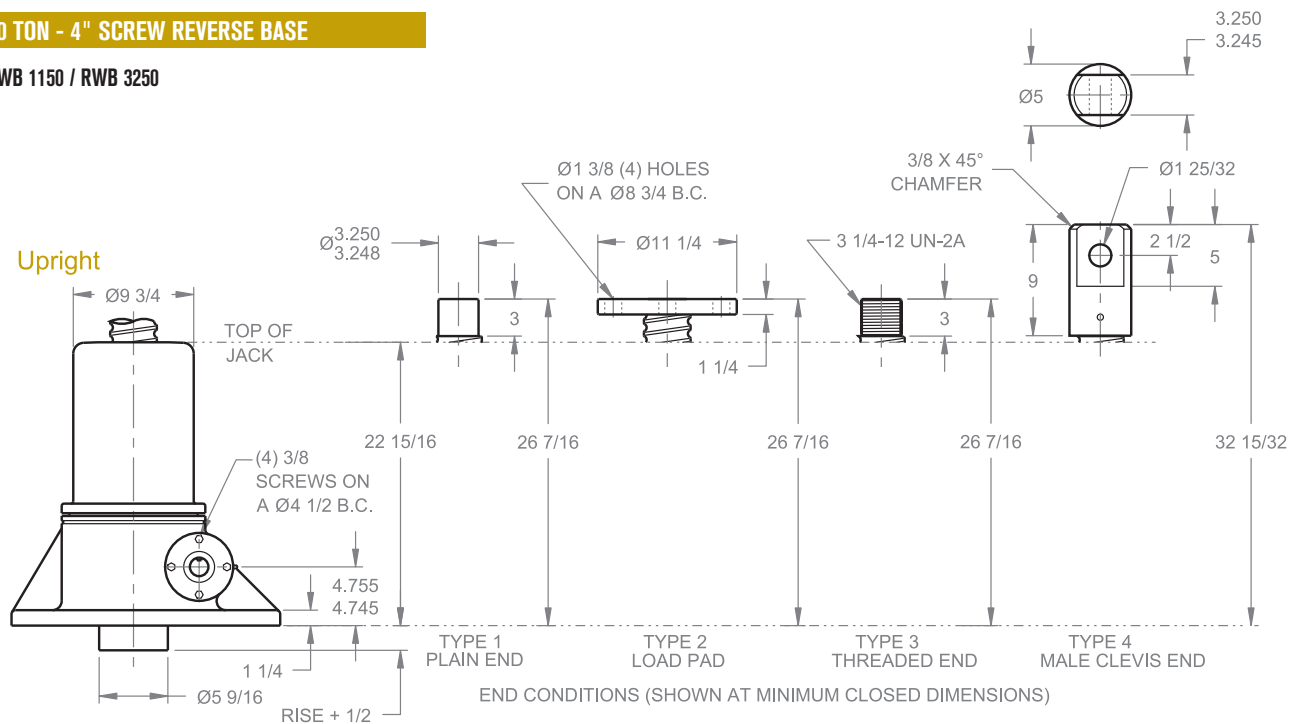


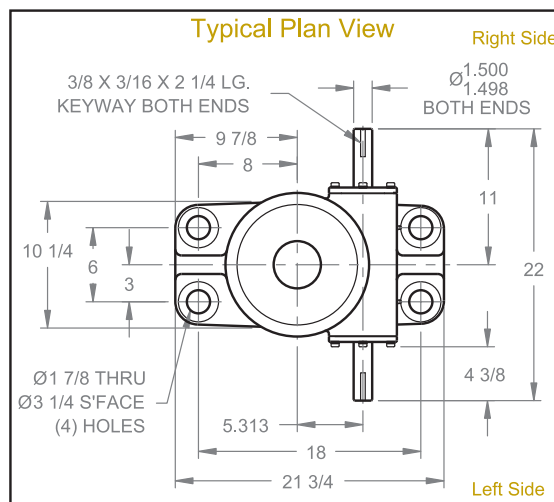
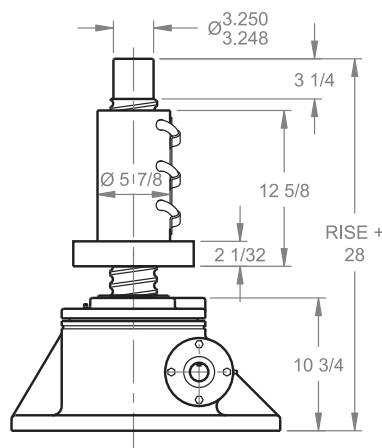
BALL SCREW JACKS

50 TON - 4" SCREW REVERSE BASE

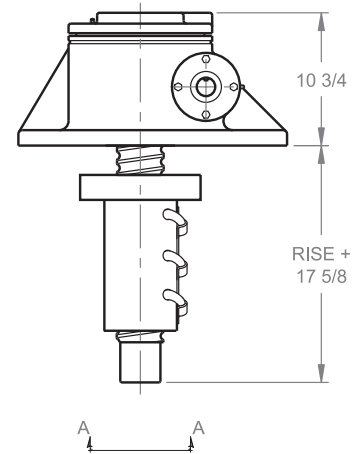
RWB 1150 / RWB 3250



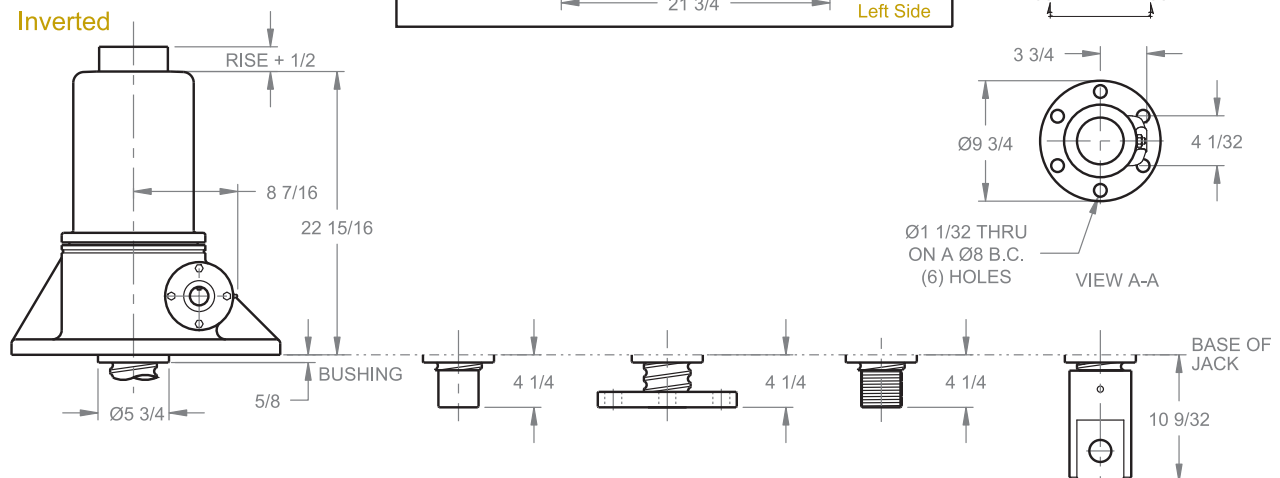
Upright traveling nut



Inverted traveling nut



Inverted



Note: Drawings are artist's conception — not for certification; dimensions are subject to change without notice.