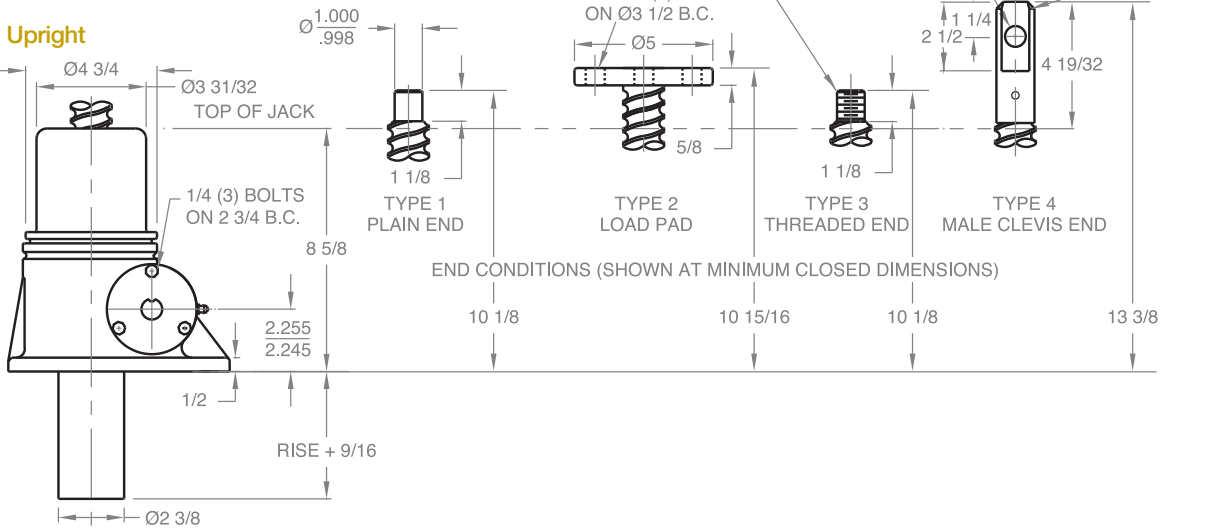


# BALL SCREW JACKS

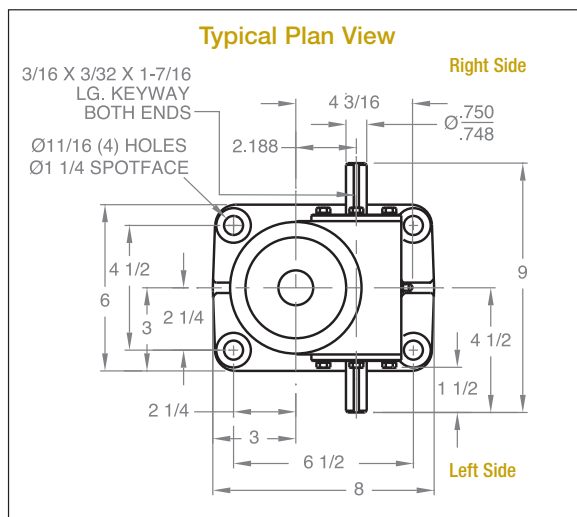
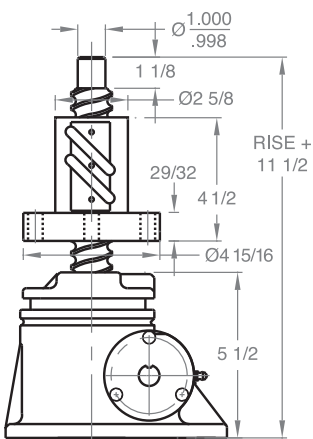
## 5 TON - 1 1/2" SCREW STANDARD

WB 65 / WB 125 / WB 245

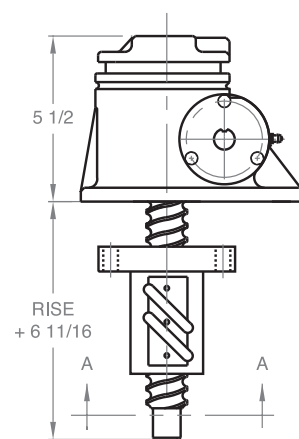
### Upright



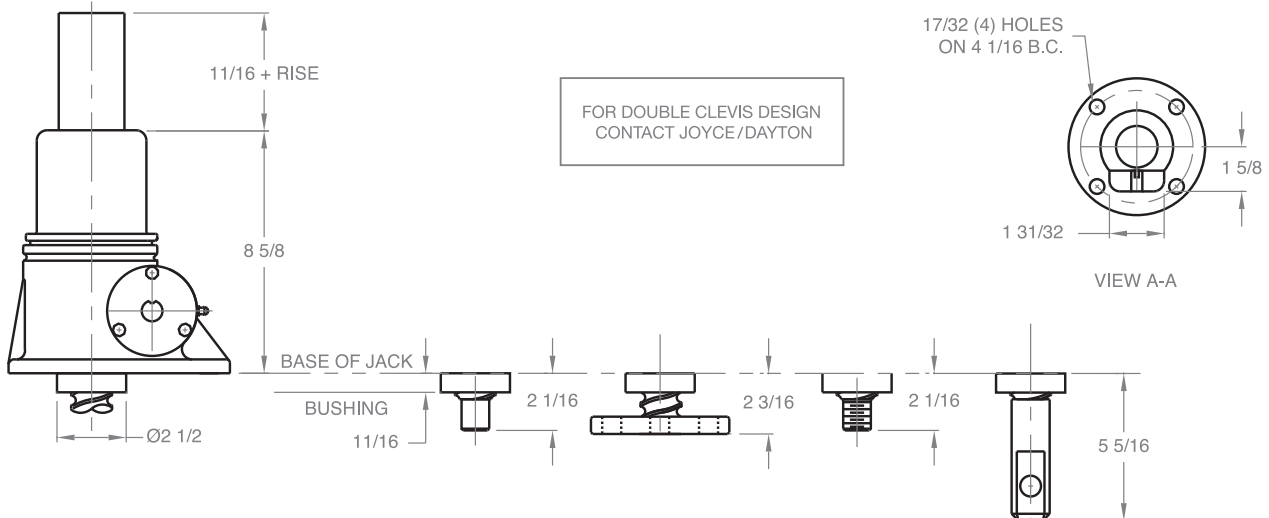
### Upright traveling nut



### Inverted traveling nut



### Inverted



Note: Drawings are artist's conception — not for certification; dimensions are subject to change without notice.