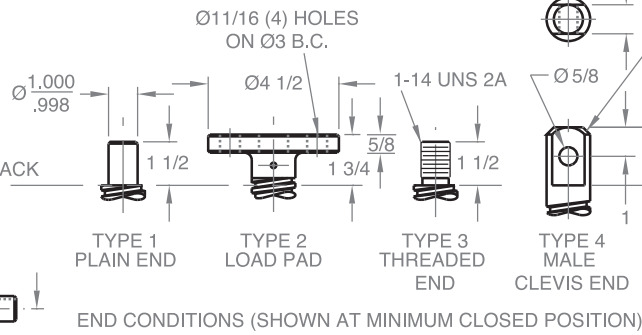
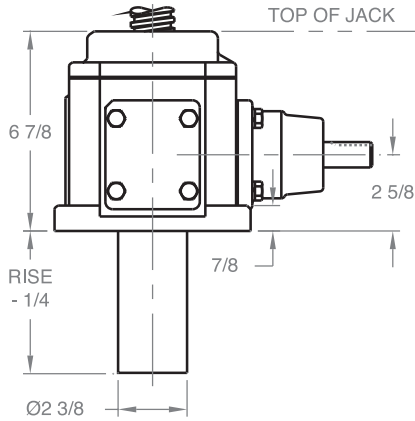


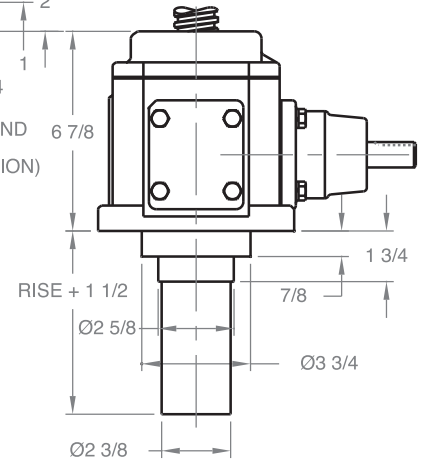
BEVEL GEAR JACKS

BG 150 - 1 1/2" SCREW

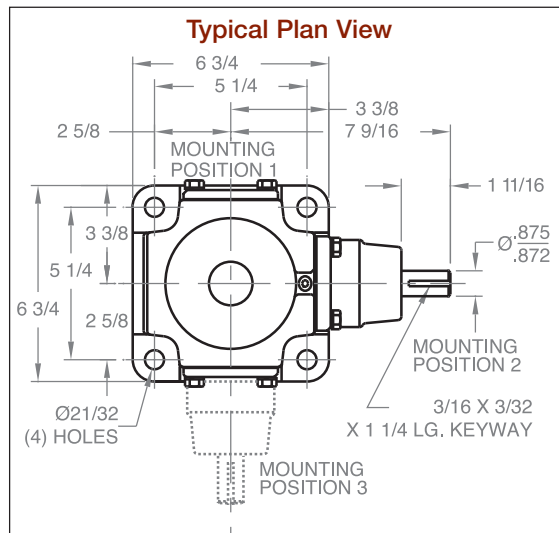
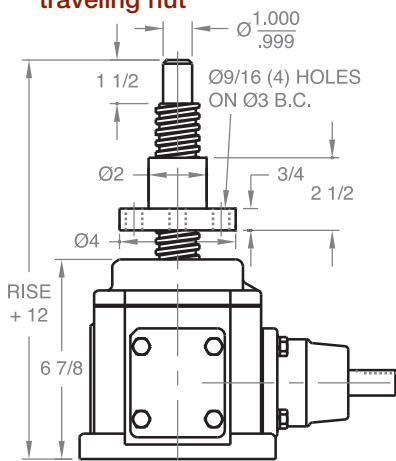
Upright



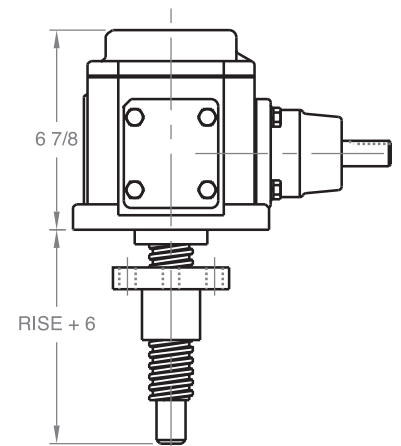
Upright keyed



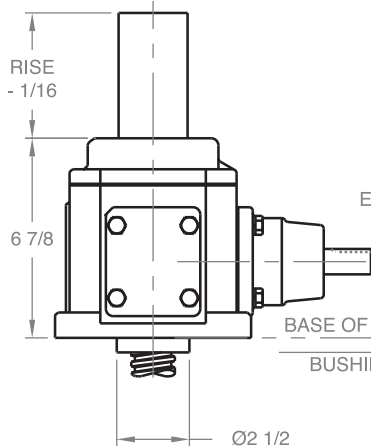
Upright traveling nut



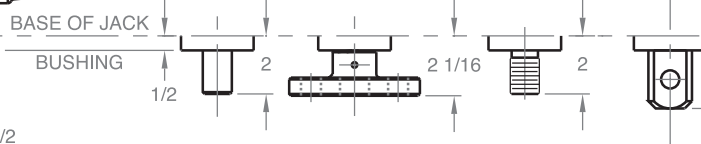
Inverted traveling nut



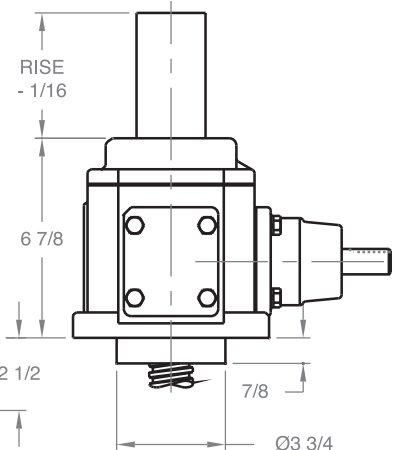
Inverted



END CONDITIONS (SHOWN AT MINIMUM CLOSED POSITION)
(DOES NOT APPLY TO INVERTED KEYED JACK)



Inverted keyed



Note: Drawings are artist's conception — not for certification; dimensions are subject to change without notice.