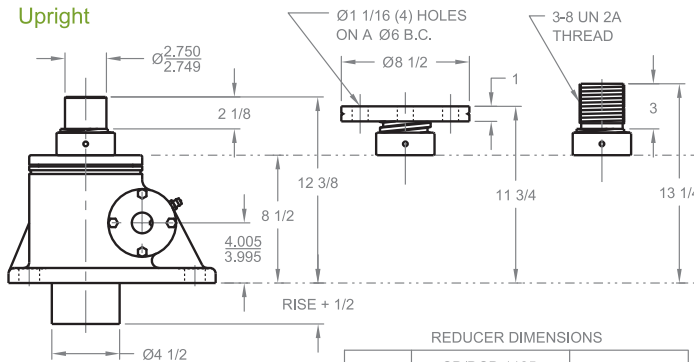


MACHINE SCREW ComDRIVES®

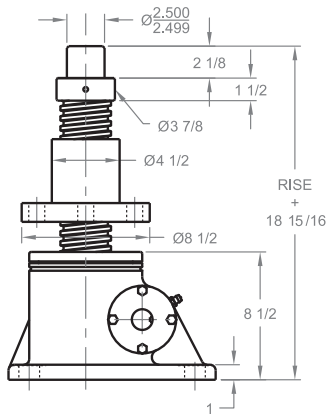
25 TON - 3 3/8" SCREW

CD 1125 / DCD 1125
CD 3225 / DCD 3225

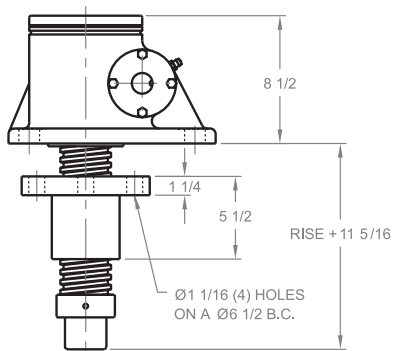
Upright



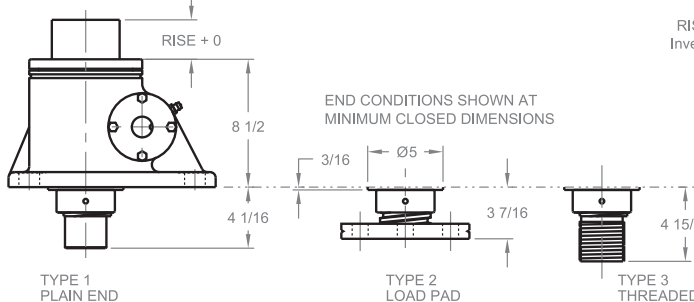
Upright traveling nut



Inverted traveling nut



Inverted



TYPE 1 PLAIN END

NOTE: FOR LIFTING CAPACITIES SEE PAGE 49

TYPE 2 LOAD PAD

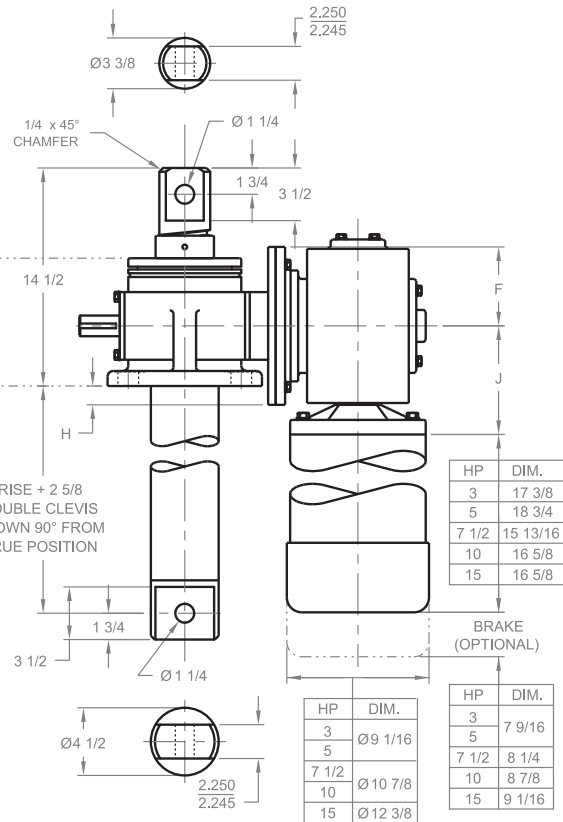
TYPE 3 THREADED END

TYPE 4 MALE CLEVIS END

REDUCER DIMENSIONS

| MODEL | CD/DCD 1125 CD/DCD 3225 | | | | CD/DCD 1125 | | | |
|-------|----------------------------|----------|----------|-------|-------------|------|-----|------|
| | 5:1 | 10:1 | 5:1 | 10:1 | 5:1 | 10:1 | 5:1 | 10:1 |
| HP | 3 | 5 | 5 | 7 1/2 | 7 1/2 | 10 | 15 | |
| A | 9 17/32 | 9 31/32 | 11 19/32 | | | | | |
| B | 13 1/32 | 13 29/32 | 16 3/32 | | | | | |
| C | 2 5/8 | 3 1/4 | 4 1/4 | | | | | |
| D | 4 7/16 | 5 1/2 | 6 1/2 | | | | | |
| E | 11 9/16 | 12 3/4 | 15 1/4 | | | | | |
| F | 3 9/16 | 4 1/2 | 5 1/4 | | | | | |
| G | 5 1/2 | 5 1/2 | 5 1/2 | | | | | |
| H | 0 | 1/2 | 1 1/4 | | | | | |
| J | 4 11/16 | 6 3/4 | 7 1/4 | | | | | |
| K | 3 11/32 | 4 5/16 | 6 1/8 | | | | | |

RISE + 2 5/8
DOUBLE CLEVIS
SHOWN 90° FROM
TRUE POSITION



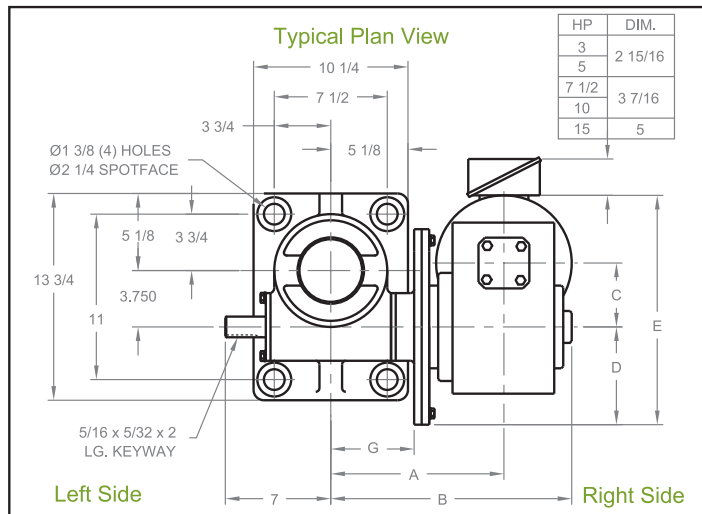
| HP | DIM. |
|-------|----------|
| 3 | 17 3/8 |
| 5 | 18 3/4 |
| 7 1/2 | 15 13/16 |
| 10 | 16 5/8 |
| 15 | 16 5/8 |

BRAKE
(OPTIONAL)

| HP | DIM. |
|-------|---------|
| 3 | Ø9 1/16 |
| 5 | |
| 7 1/2 | Ø10 7/8 |
| 10 | |
| 15 | Ø12 3/8 |

| HP | DIM. |
|-------|--------|
| 3 | 7 9/16 |
| 5 | 8 1/4 |
| 7 1/2 | 8 7/8 |
| 10 | 9 1/16 |
| 15 | |

Typical Plan View



| HP | DIM. |
|-------|---------|
| 3 | 2 15/16 |
| 5 | |
| 7 1/2 | 3 7/16 |
| 10 | |
| 15 | 5 |

Left Side

Right Side

Reducer Shown
Rotated 180°
From Plan View

Note: Drawings are artist's conception — not for certification; dimensions are subject to change without notice.