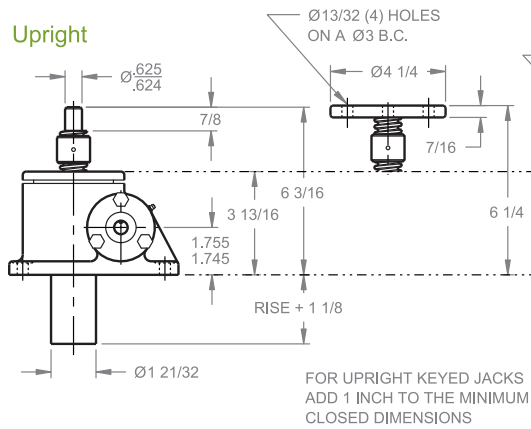


MACHINE SCREW ComDRIVES®

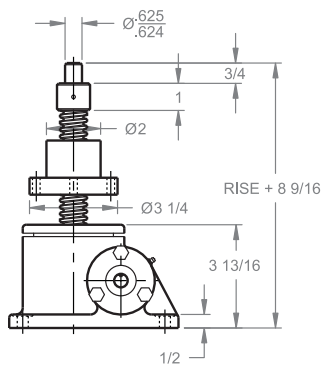
3 TON - 1" SCREW

CD 63 / DCD 63
 CD 123 / DCD 123
 CD 243 / DCD 243

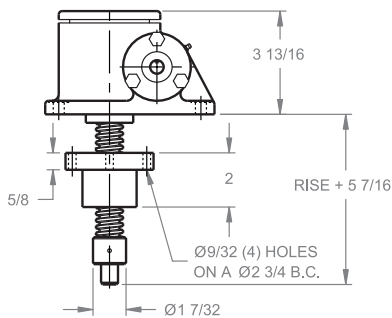
Upright



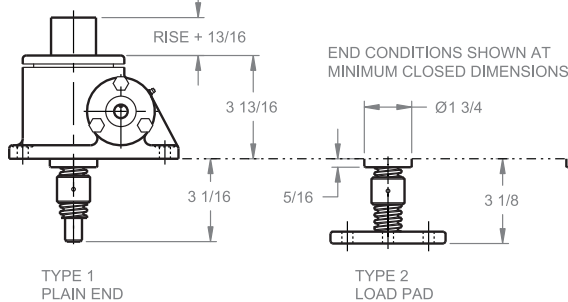
Upright traveling nut



Inverted traveling nut



Inverted



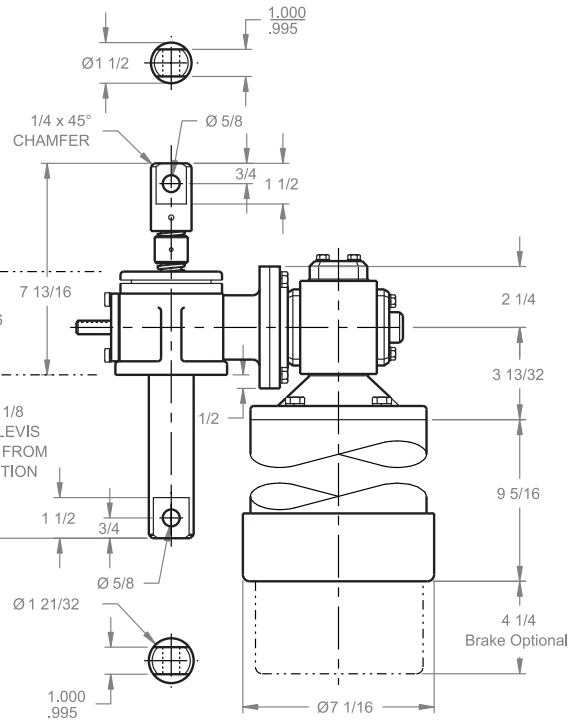
TYPE 1
PLAIN END

TYPE 2
LOAD PAD

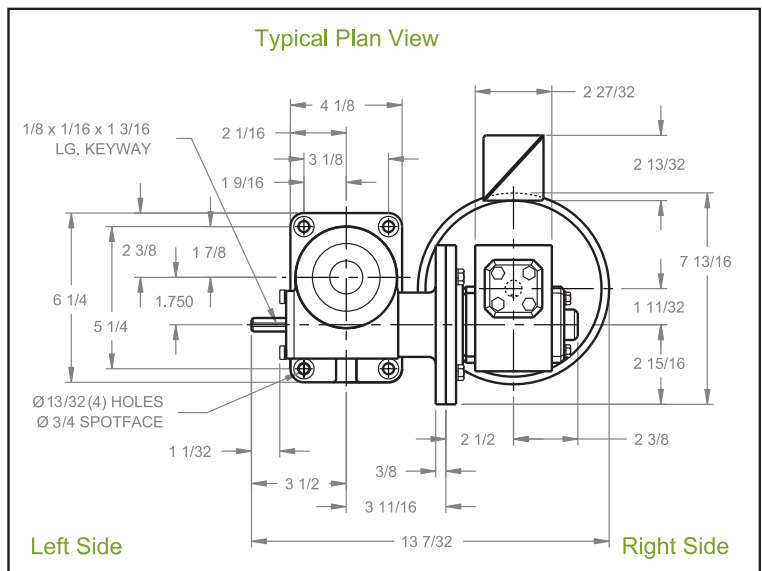
TYPE 3
THREADED END

TYPE 4
MALE CLEVIS END

NOTE: FOR LIFTING CAPACITIES SEE PAGE 49



Typical Plan View



Note: Drawings are artist's conception — not for certification; dimensions are subject to change without notice.