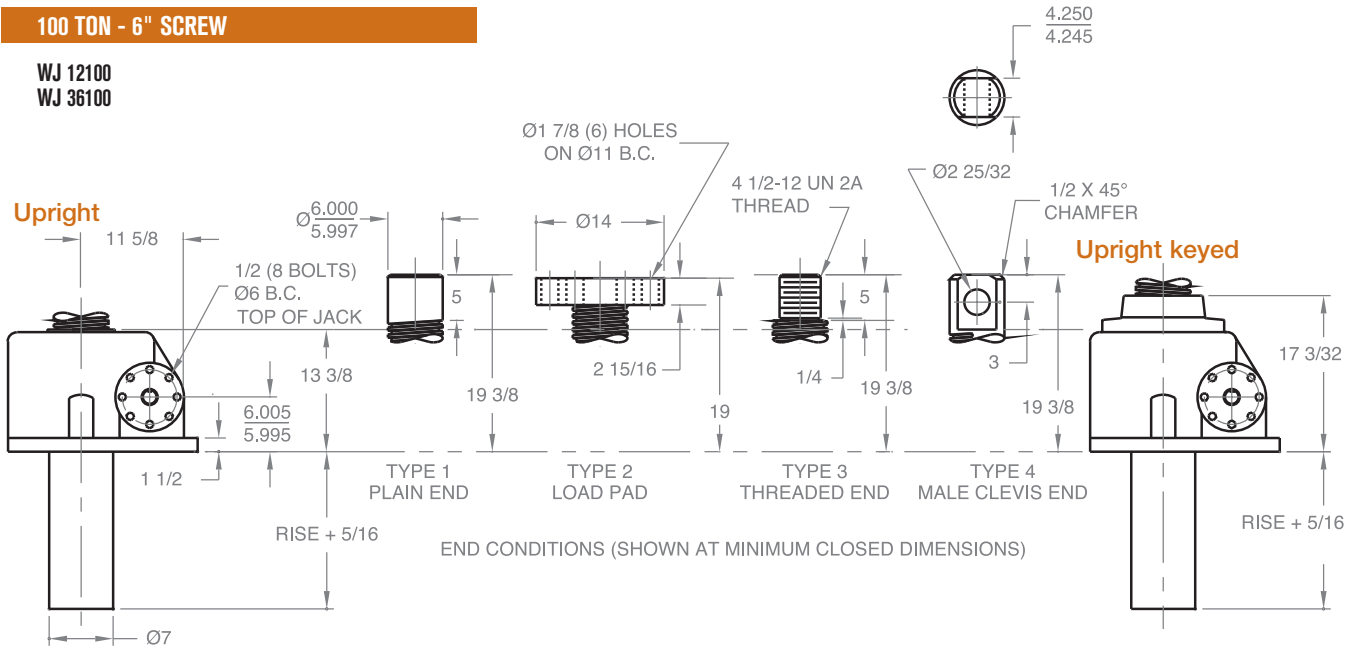


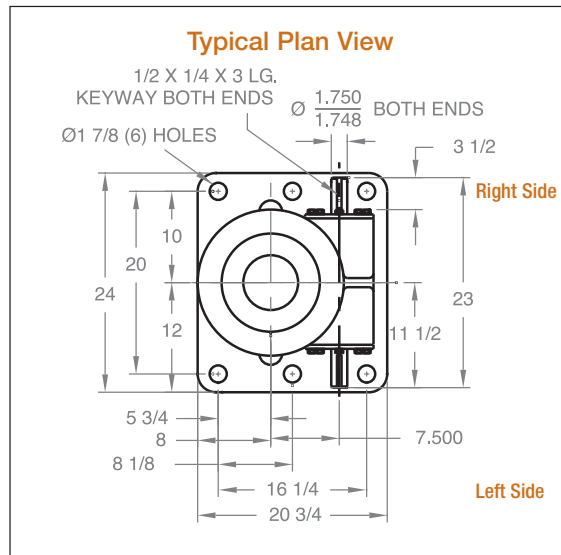
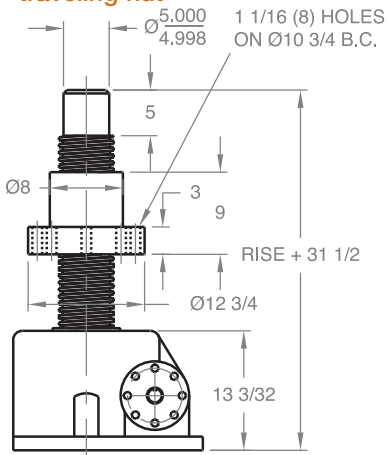
MACHINE SCREW JACKS

100 TON - 6" SCREW

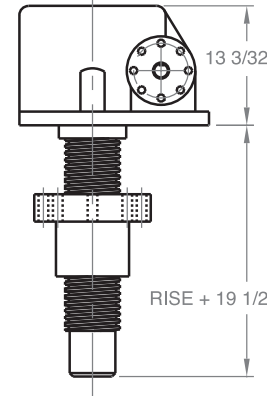
WJ 12100
WJ 36100



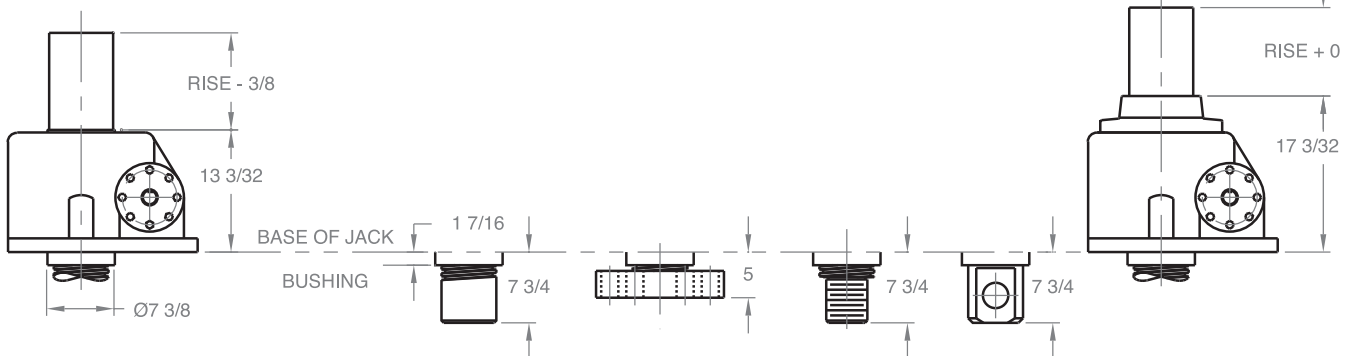
Upright traveling nut



Inverted traveling nut



Inverted



Note: Drawings are artist's conception — not for certification; dimensions are subject to change without notice. Minimum closed dimensions do not apply to upright keyed jacks.