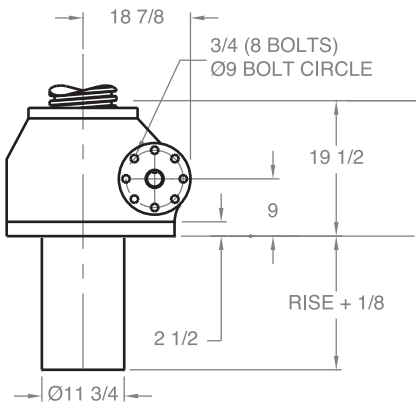


MACHINE SCREW JACKS

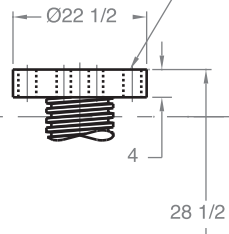
250 TON - 9" SCREW

WJ 50250

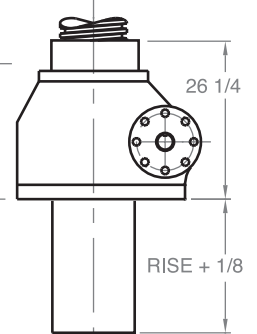
Upright



Ø2 3/4 (6) HOLES
ON Ø17 B.C.



Upright keyed

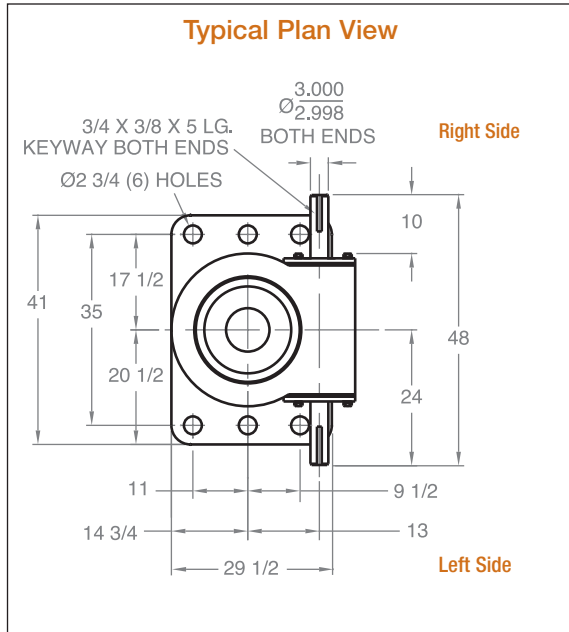


TOP OF JACK

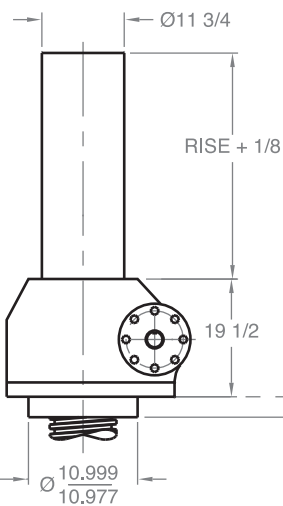
TYPE 2
LOAD PAD

END CONDITION (SHOWN AT MINIMUM CLOSED DIMENSION)

Typical Plan View



Inverted



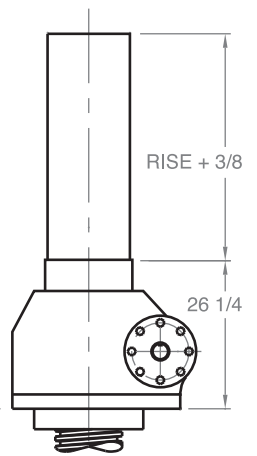
BASE OF JACK

BUSHING

2 3/4



Inverted keyed



Note: Drawings are artist's conception — not for certification; dimensions are subject to change without notice. Minimum closed dimensions do not apply to upright keyed jacks.