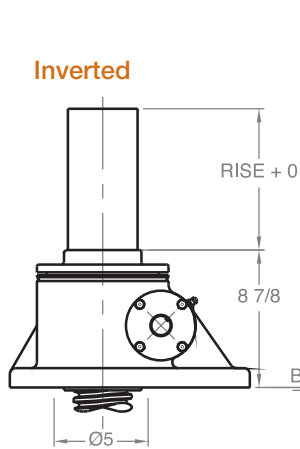
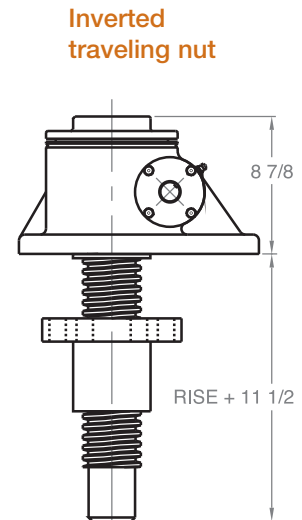
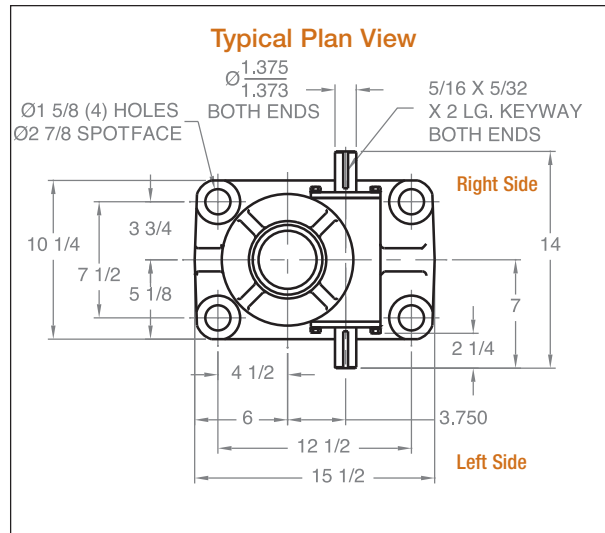
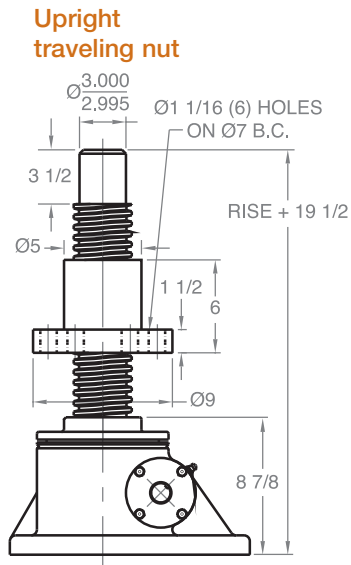
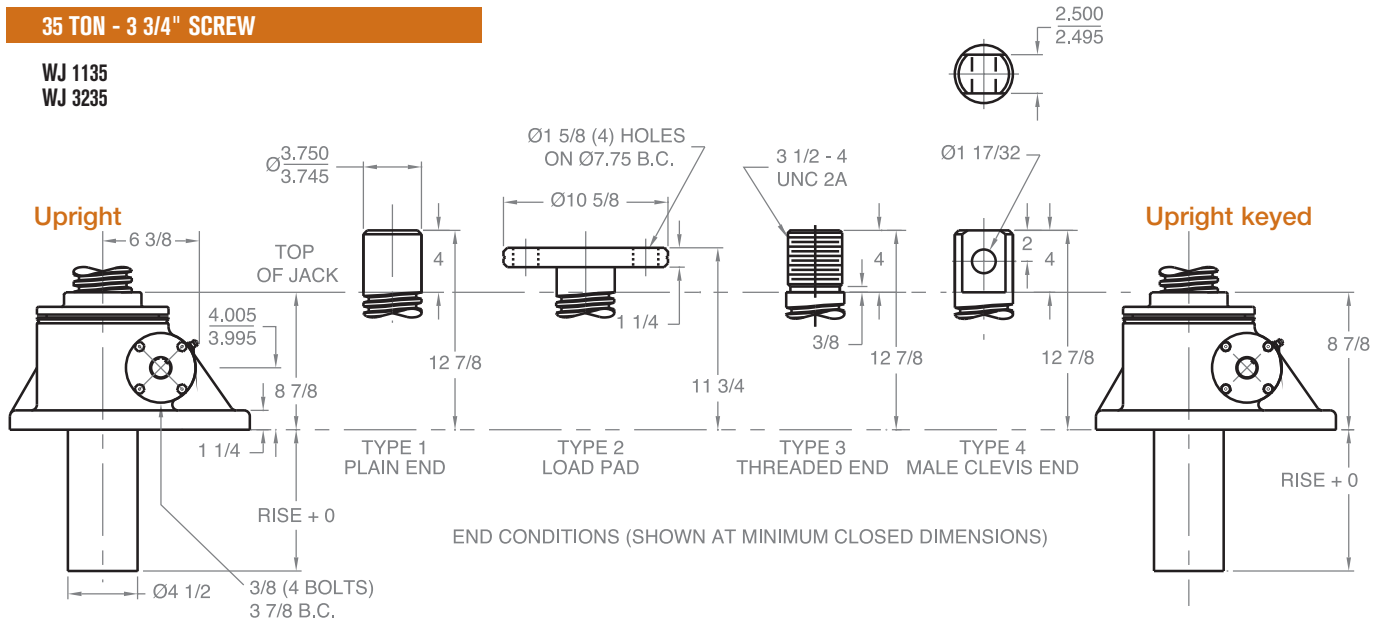


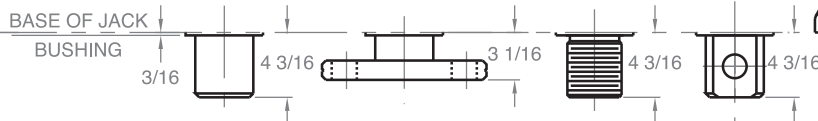
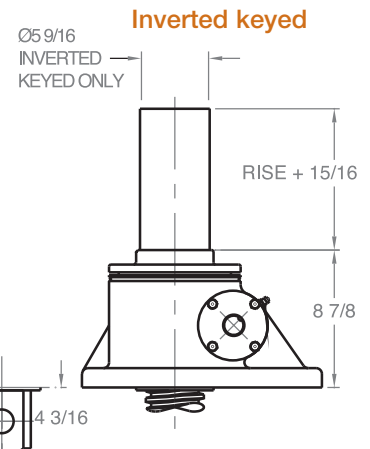
# MACHINE SCREW JACKS

35 TON - 3 3/4" SCREW

WJ 1135  
WJ 3235



FOR DOUBLE CLEVIS DESIGN  
CONTACT JOYCE/DAYTON



Note: Drawings are artist's conception — not for certification; dimensions are subject to change without notice.