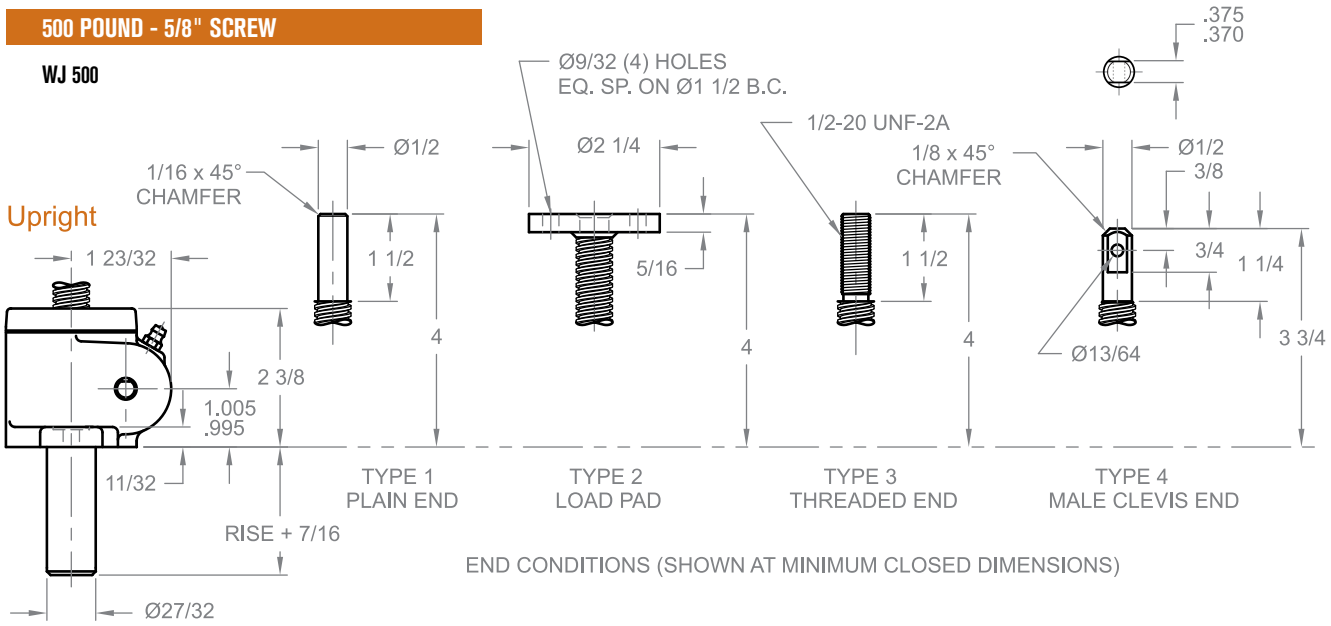


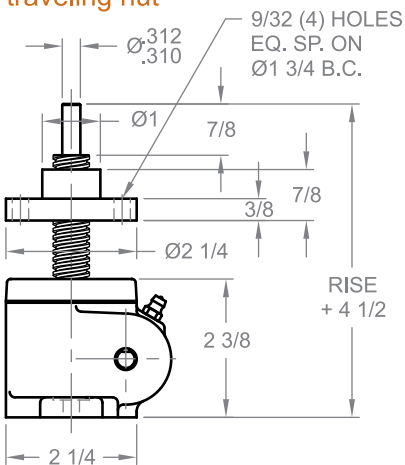
# MACHINE SCREW JACKS

500 POUND - 5/8" SCREW

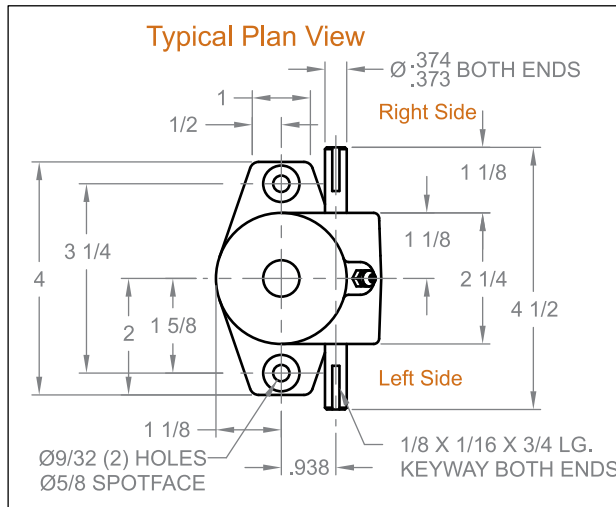
WJ 500



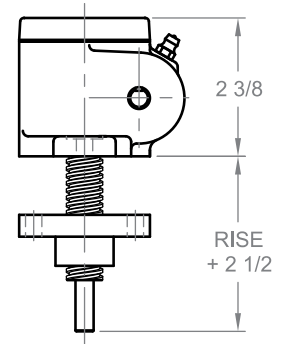
Upright  
traveling nut



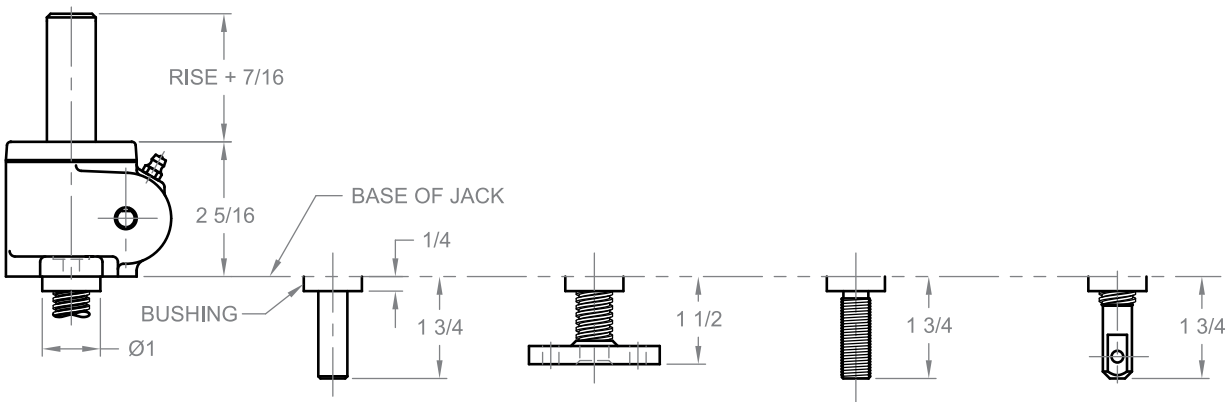
Typical Plan View



Inverted  
traveling nut



Inverted



Material Notes: Housing and protection tube are aluminum. lifting screw is 304 S.S. Input shaft (worm) is 416 S.S.

Note: Drawings are artist's conception - not for certification; dimensions are subject to change without notice.