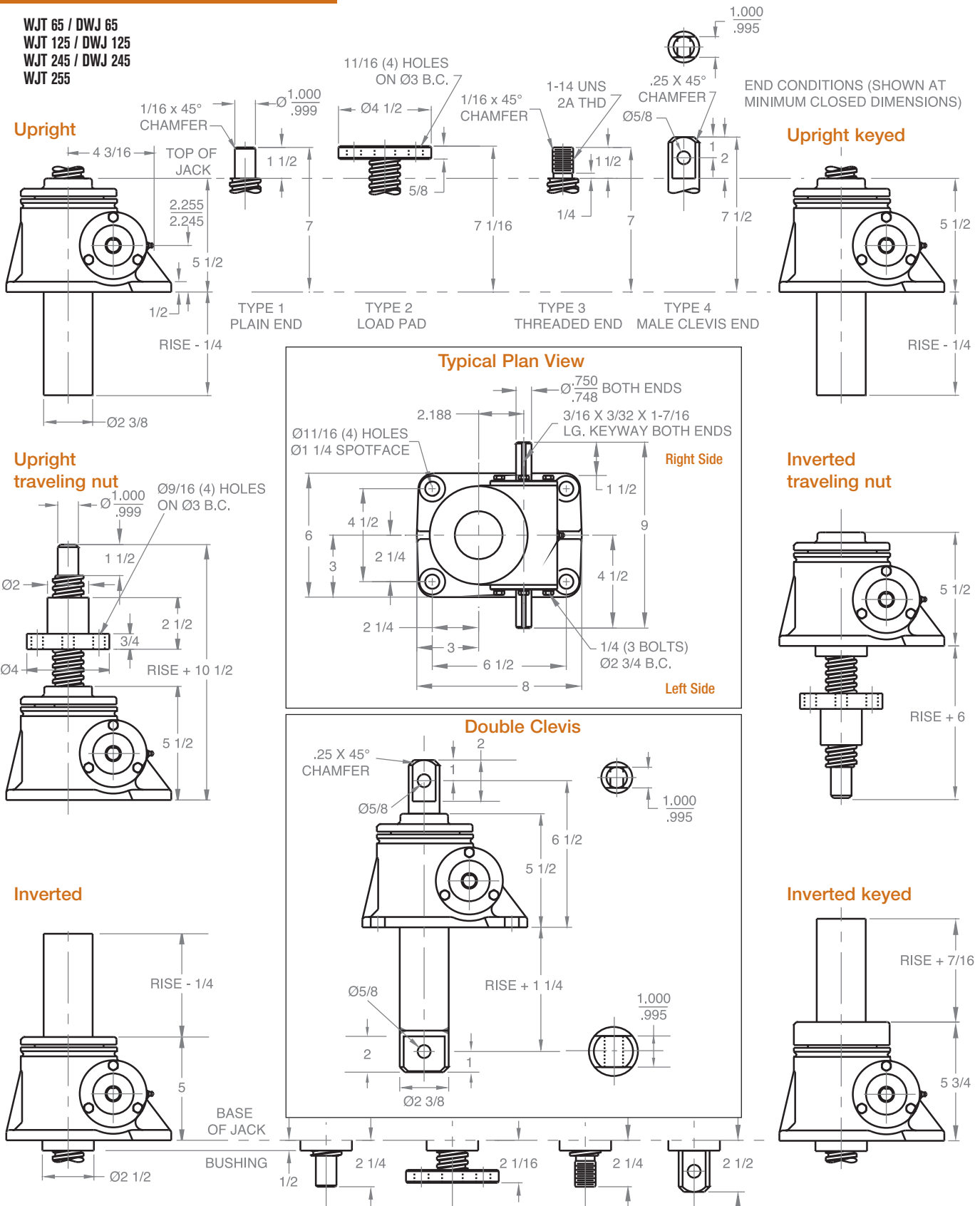


# MACHINE SCREW JACKS

## 5 TON - 1 1/2" SCREW

WJT 65 / DWJ 65  
 WJT 125 / DWJ 125  
 WJT 245 / DWJ 245  
 WJT 255



Note: Drawings are artist's conception — not for certification; dimensions are subject to change without notice.