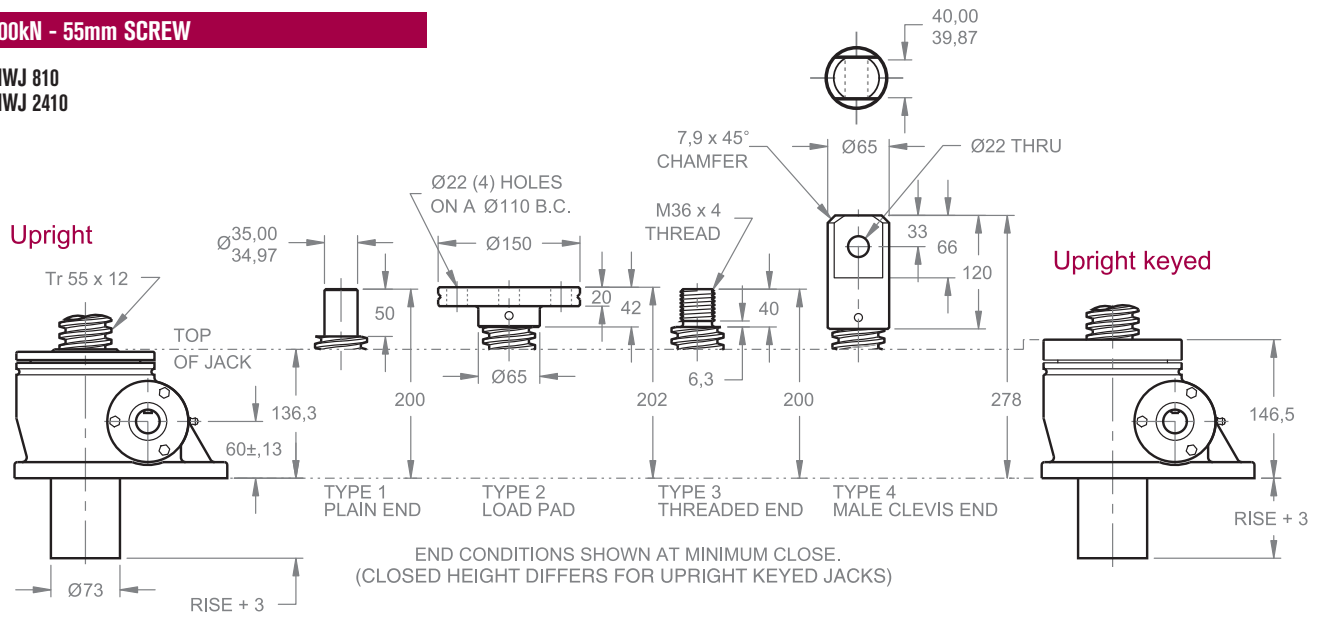


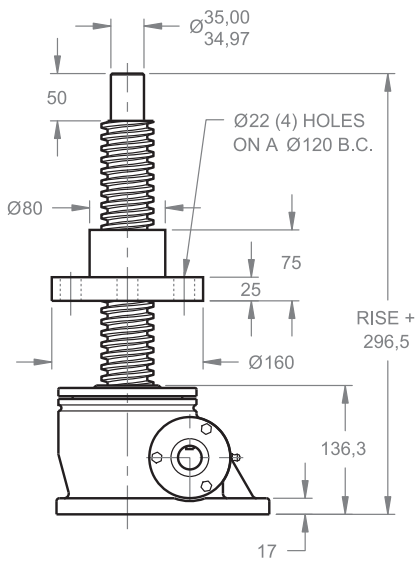
METRIC SCREW JACKS

100kN - 55mm SCREW

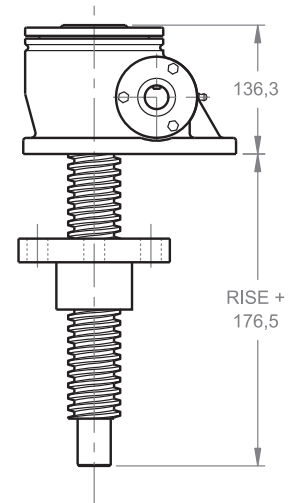
MWJ 810
MWJ 2410



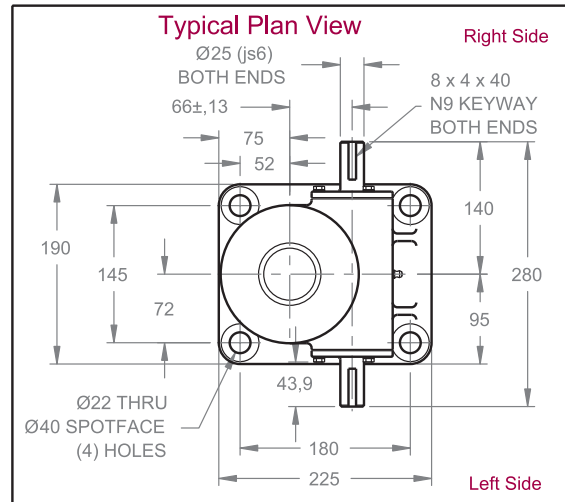
Upright traveling nut



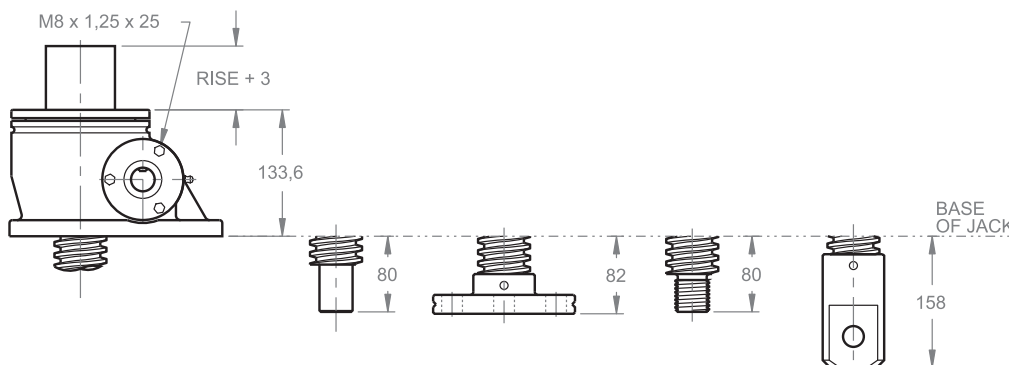
Inverted traveling nut



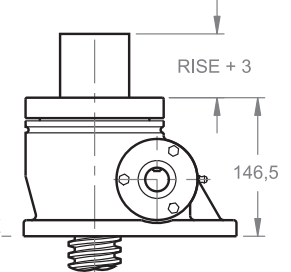
Typical Plan View



Inverted



Inverted keyed



Note: Drawings are artist's conception — not for certification; dimensions are subject to change without notice.