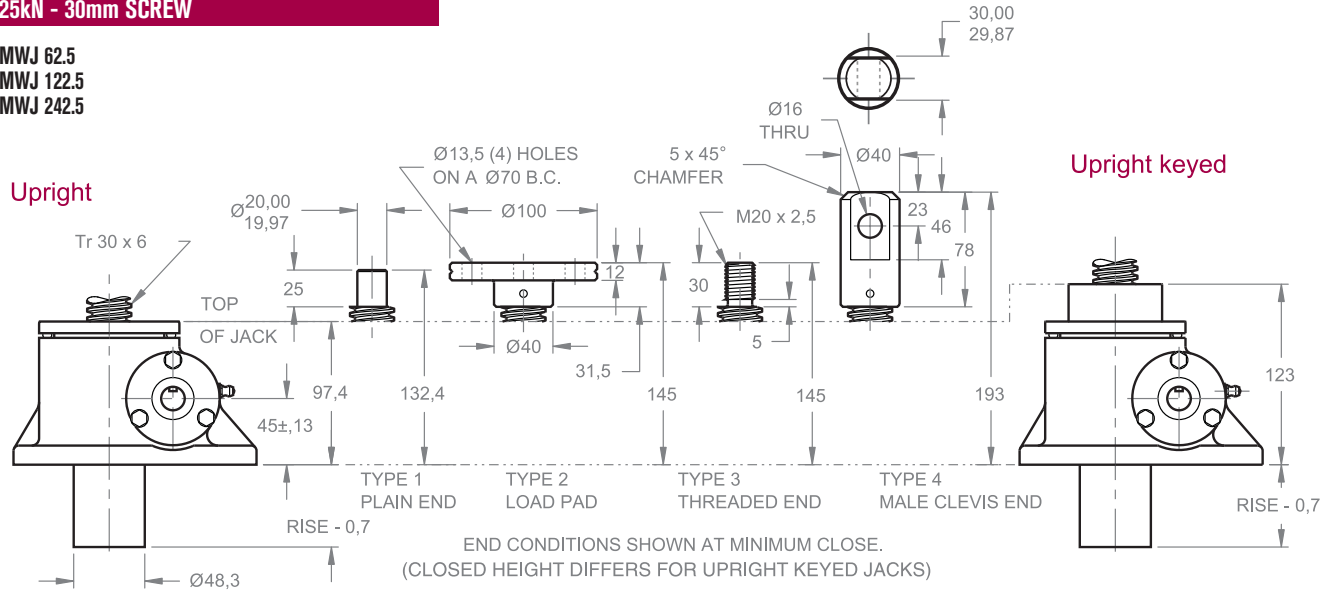


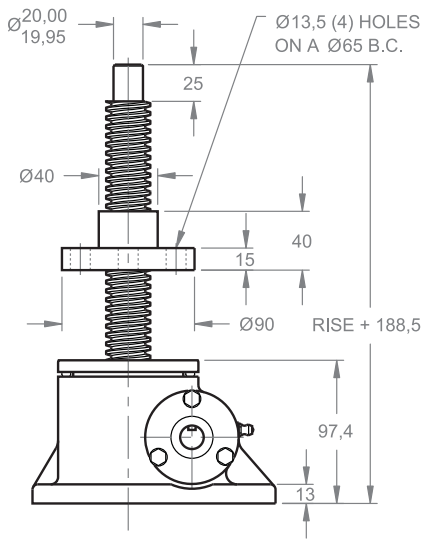
METRIC SCREW JACKS

25kN - 30mm SCREW

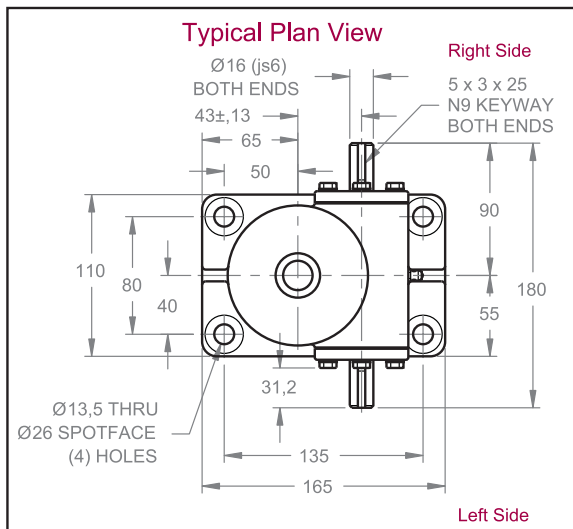
MWJ 62.5
MWJ 122.5
MWJ 242.5



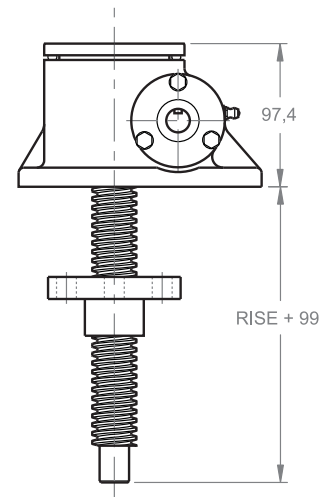
Upright traveling nut



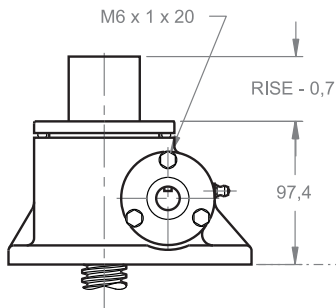
Typical Plan View



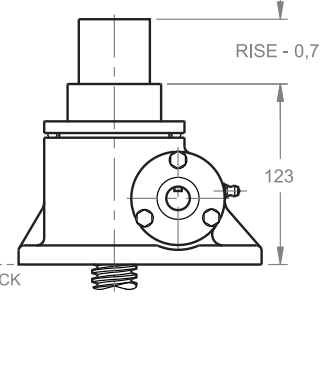
Inverted traveling nut



Inverted



Inverted keyed



Note: Drawings are artist's conception — not for certification; dimensions are subject to change without notice.