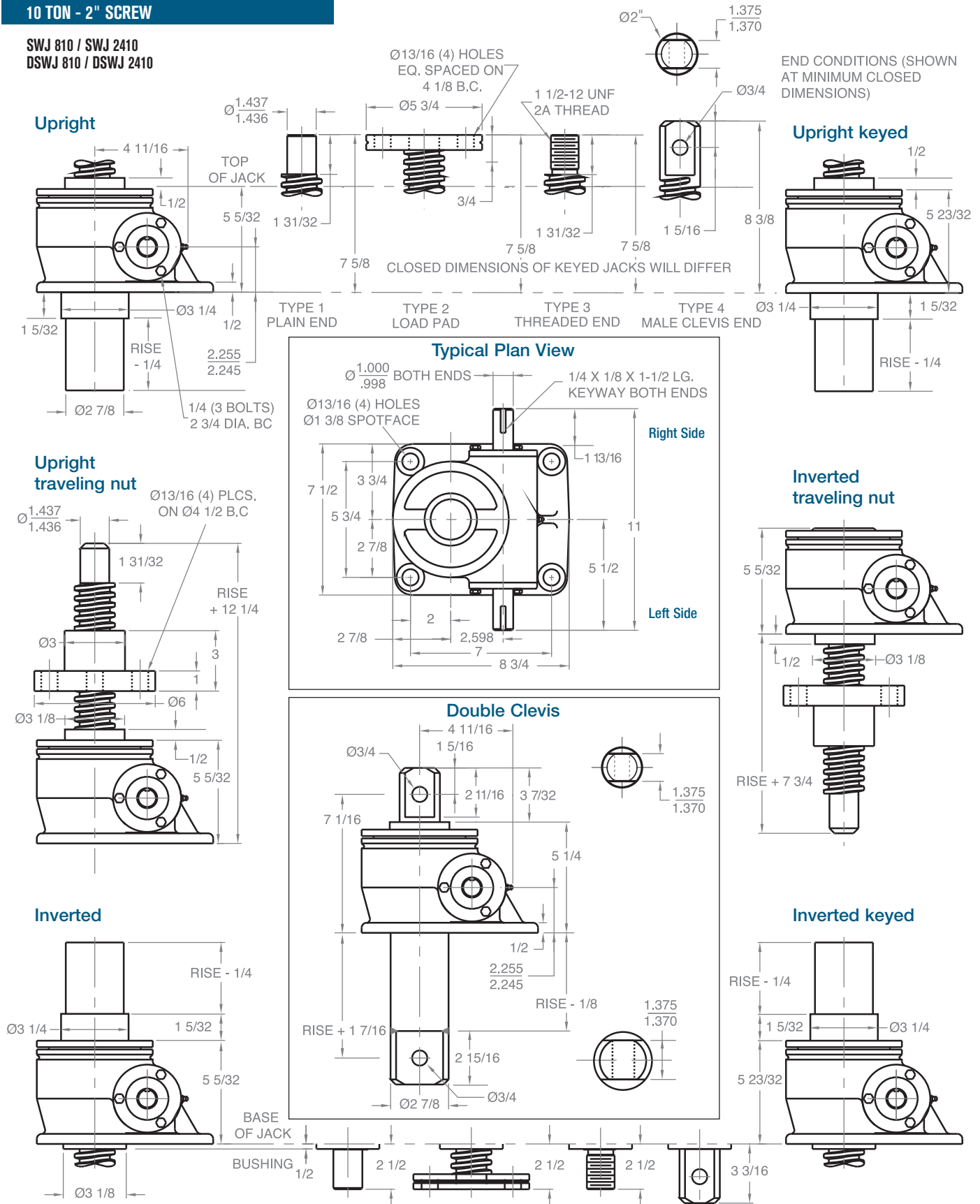


STAINLESS STEEL JACKS

10 TON - 2" SCREW

SWJ 810 / SWJ 2410
DSWJ 810 / DSWJ 2410



Note: Drawings are artist's conception — not for certification; dimensions are subject to change without notice.