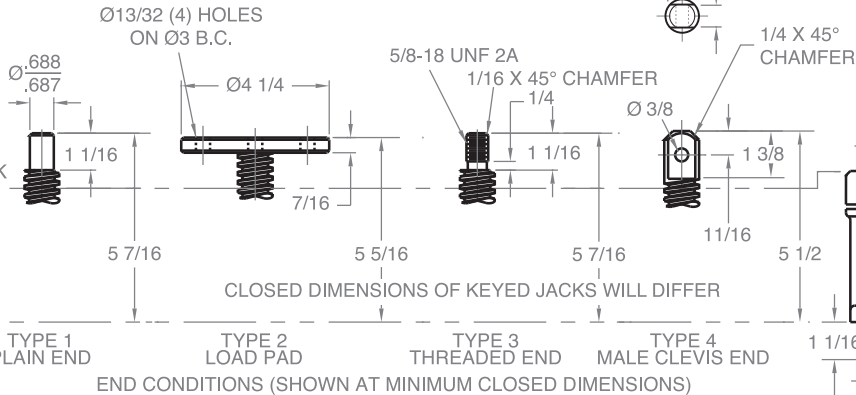
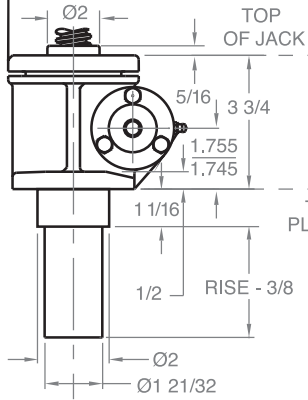


STAINLESS STEEL JACKS

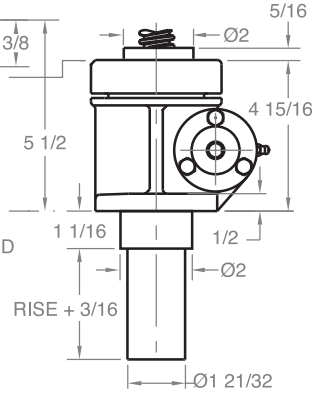
2 TON - 1" SCREW

SWJ 62 / DSWJ 62
SWJ 122 / DSWJ 122
SWJ 242 / DSWJ 242

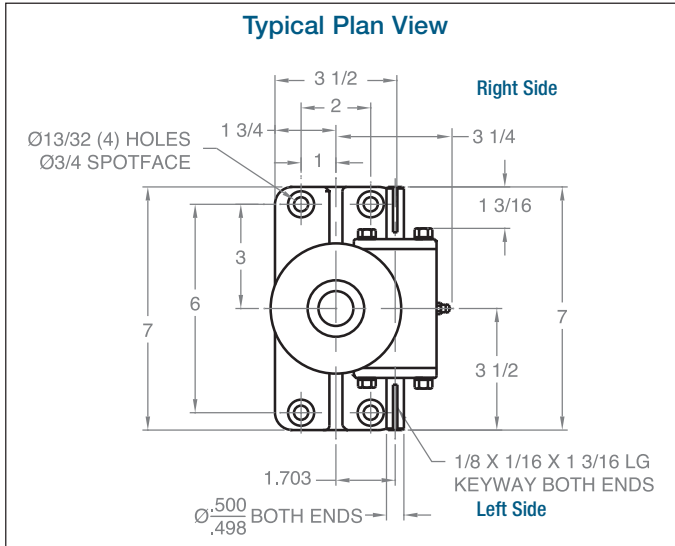
Upright



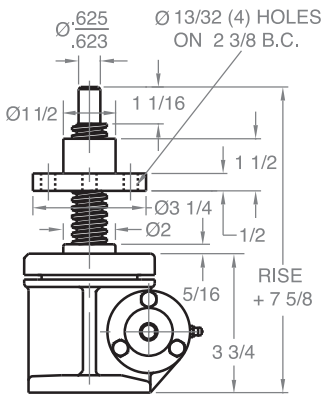
Upright keyed



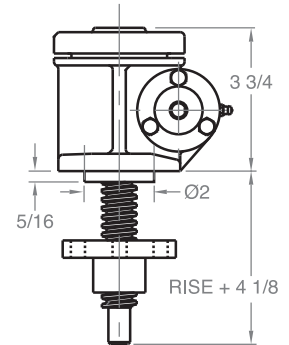
Typical Plan View



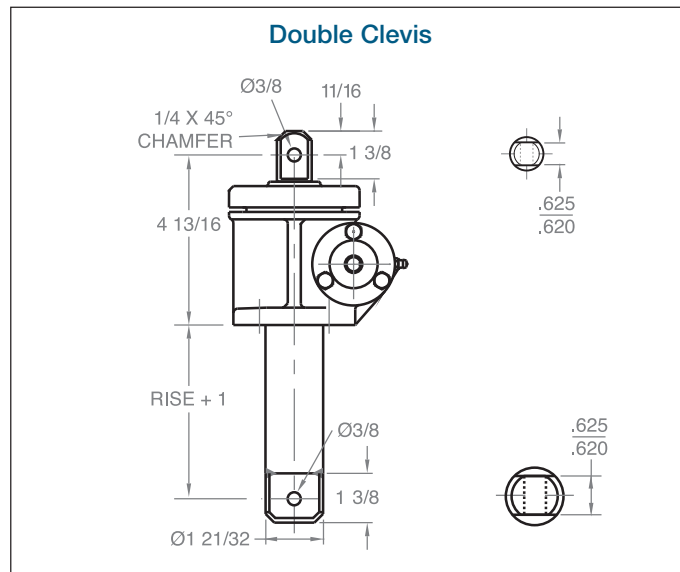
Upright traveling nut



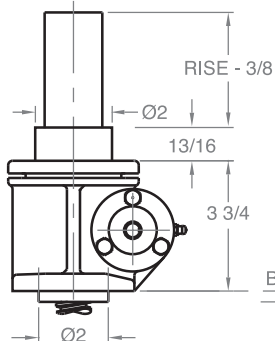
Inverted traveling nut



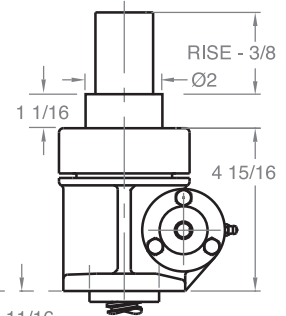
Double Clevis



Inverted



Inverted keyed



Note: Drawings are artist's conception — not for certification; dimensions are subject to change without notice.