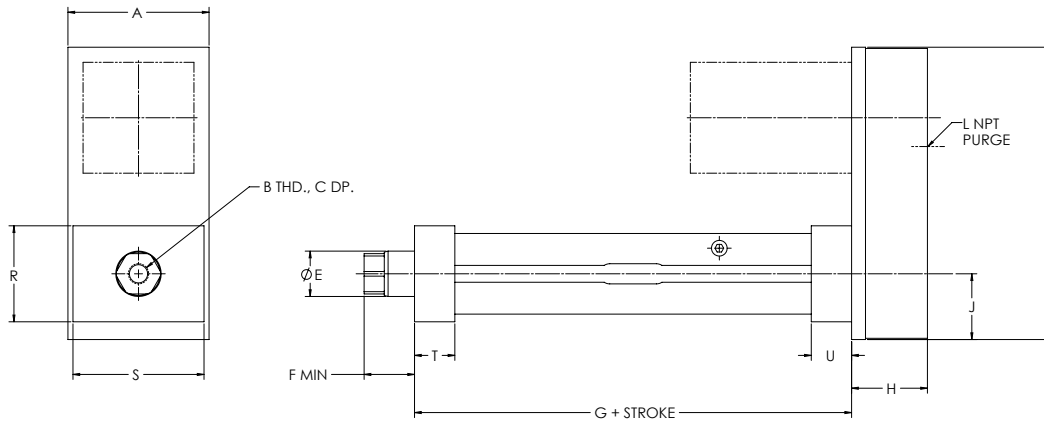


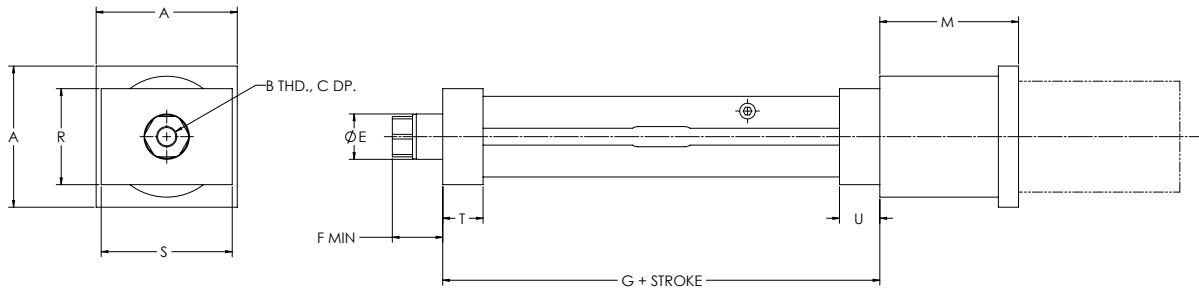
DIMENSIONED DRAWINGS FOR THE TAG LS ACTUATOR

Dimensions in inches

U-Parallel Offset Motor Configuration

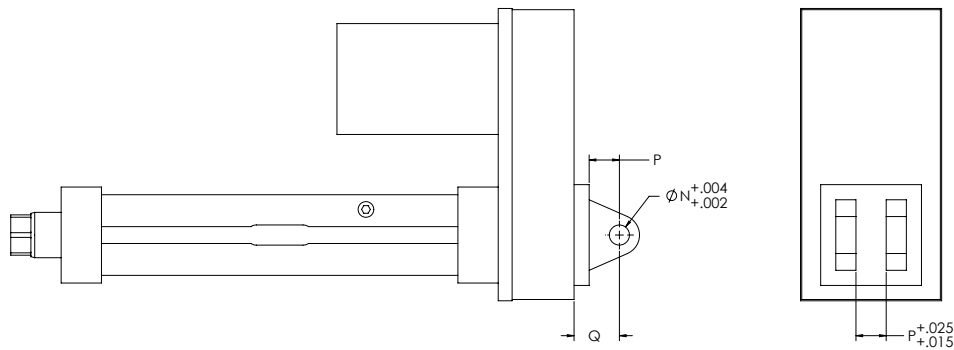


L-Inline Motor Configuration



"M" length may vary depending on motor or gearbox.

Rear Clevis



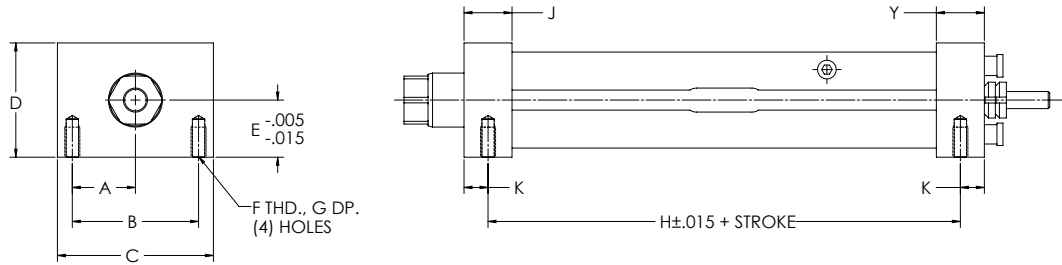
LS U-Parallel Offset, L-Inline and Rear Clevis Dimensions

Model	A	B	C	D	E	F	G	H	J	K	L	M	N	P	Q	R	S	T	U
LS204	3.50	1/2-20	0.63	2.25	1.13	1.25	7.84	1.88	1.63	7.25	1/8	3.44	0.50	0.75	1.13	2.38	3.25	1.00	1.00
LS209	3.50	1/2-20	0.63	2.25	1.13	1.25	7.84	1.88	1.63	7.25	1/8	3.44	0.50	0.75	1.13	2.38	3.25	1.00	1.00
LS305	4.50	3/4-16	0.88	3.25	1.75	1.50	10.16	2.47	2.38	9.63	1/8	3.97	0.75	1.25	1.88	3.38	4.50	1.25	1.38
LS310	4.50	3/4-16	0.88	3.25	1.75	1.50	10.16	2.47	2.38	9.63	1/8	3.97	0.75	1.25	1.88	3.38	4.50	1.25	1.38
LS320	4.50	3/4-16	0.88	3.25	1.75	1.50	10.16	2.47	2.38	9.63	1/8	3.97	0.75	1.25	1.88	3.38	4.50	1.25	1.38

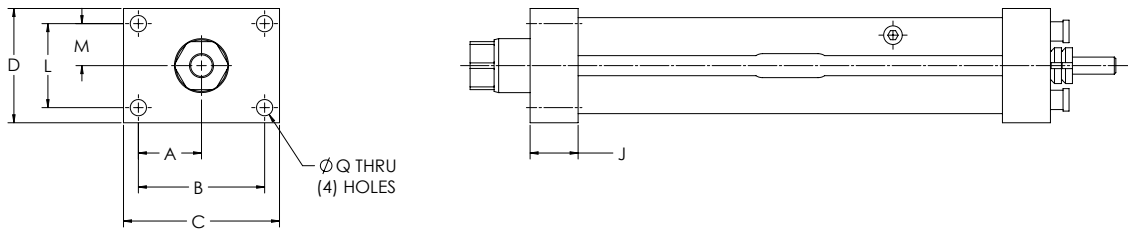
DIMENSIONED DRAWINGS FOR THE TAG LS ACTUATOR

Dimensions in inches

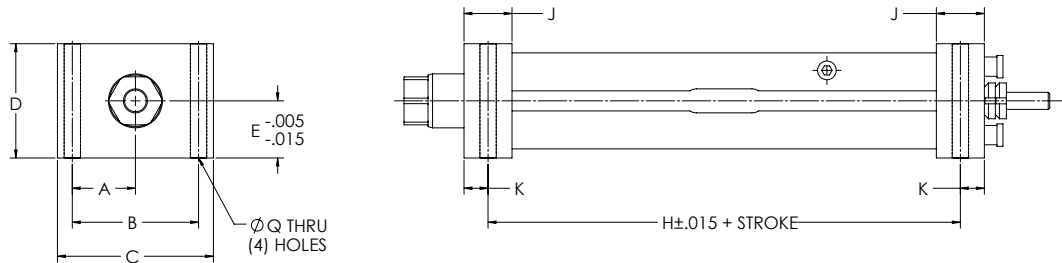
Bottom Mount Dimensions



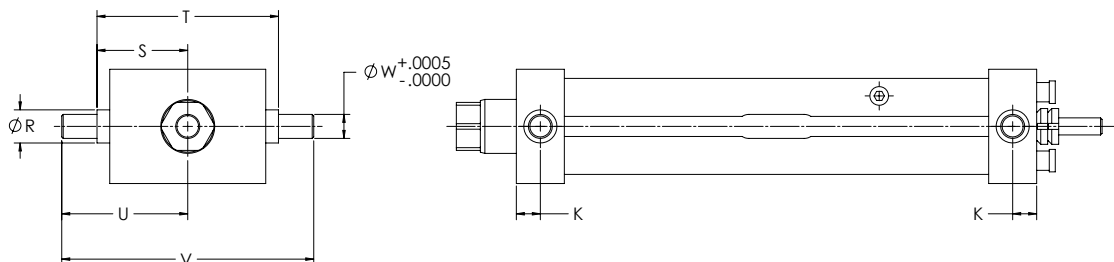
Front Flange Dimensions



Foot Mount Dimensions



Trunnion Mount Dimensions



LS Unit Mounting Dimensions

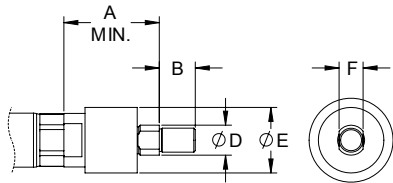
Model	A	B	C	D	E	F	G	H	J	K	L	M	N	P	Q	R	S	T	U	V	W	X	Y
LS2	1.31	2.63	3.25	2.38	1.19	5/16-18	0.63	6.84	1.00	0.50	1.75	0.88	2.25	0.25	0.34	0.69	1.89	3.78	2.63	5.25	0.50	4.22	1.00
LS3	1.88	3.75	4.50	3.38	1.69	3/8-16	0.75	9.16	1.25	0.50	2.63	1.31	3.25	0.25	0.41	0.94	2.52	5.03	3.50	7.00	0.75	6.28	1.38

DIMENSIONED DRAWINGS FOR THE TAG LS ACTUATOR

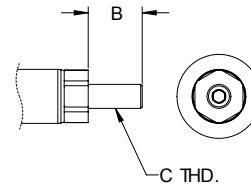
Dimensions in inches

Rod End Options

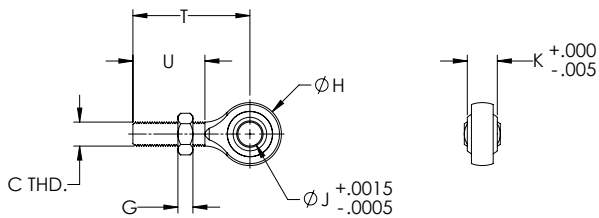
Self-Aligning Coupler



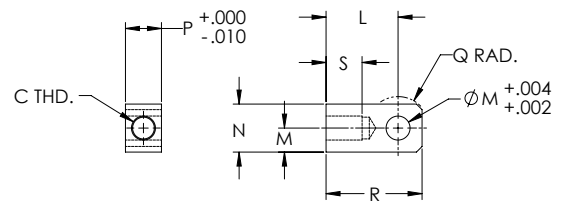
Male Thread



Spherical Rod Eye



Female Eye



LS Rod End Dimensions

Model	A	B	C	D	E	F	G	H	J	K	L	M	N	P	Q	R	S	T	U
LS2	2.00	0.75	1/2-20	0.63	1.37	0.50	0.31	1.31	0.50	0.63	1.50	0.50	1.00	0.75	0.50	2.00	0.75	2.44	1.50
LS3	2.31	1.13	3/4-16	0.97	2.00	0.75	0.42	1.75	0.75	0.88	2.06	0.75	1.50	1.25	0.75	2.81	1.13	2.88	1.75