

SCREWS AND NUTS



Ball Screws & Nuts



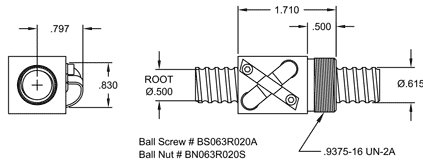
www.joycedayton.com

0.631 IN. DIAMETER - 0.200 IN. LEAD

This 0.631 inch diameter ball screw has a 0.200 inch lead. Corresponding *Standard capacity ball nuts* are available with either right-hand or left-hand threads, and corresponding *High capacity ball nuts* are available with right-hand threads

| BALL SCREW SPECIFICATIONS | RH | LH |
|------------------------------|----------------|----------------|
| BALL SCREW PART NO. | BS 063 R 020 A | BS 063 L 020 A |
| NOMINAL BALL CIRCLE DIAMETER | | 0.631 IN. |
| LEAD | | 0.200 IN. |
| SCREW DIAMETER | | 0.615 IN. |
| ROOT DIAMETER | | 0.500 IN. |
| SCREW WEIGHT | | 0.83 LB./FT. |
| TORQUE TO RAISE 1 POUND* | | 0.035 IN.-LB. |
| MAXIMUM SCREW LENGTH | | 12 FT. |

* Torque to raise 1 pound = 0.177 x inches lead x pounds load

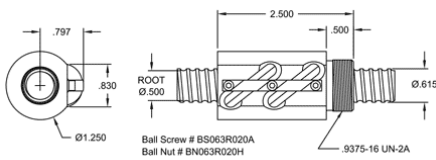


Standard Capacity Ball Nut Specifications (S)

Right hand thread direction shown; left hand is available.

| BALL NUT SPECIFICATIONS | RH | LH |
|---------------------------------------|----------------|----------------|
| BALL NUT PART NO. (STANDARD CAPACITY) | BN 063 R 020 S | BN 063 L 020 S |
| BALL NUT WITH FLANGE PART NO. | BF 063 R 020 S | BF 063 L 020 S |
| DYNAMIC LOAD CAPACITY** | | 825 LB. |
| STATIC LOAD CAPACITY | | 6,250 LB. |
| BALL NUT WEIGHT | | 0.26 LB. |
| NOMINAL BALL DIA. (AVG. BALL QTY.) | | 1/8 IN. (67) |
| FLANGE PART NO. | FL-0937 | |
| WIPER KIT PART NO. | | WK-30 |

** for 1,000,000 inches



High Capacity Ball Nut Specifications (H)

Right hand thread direction shown.

| BALL NUT SPECIFICATIONS | RH |
|------------------------------------|----------------|
| BALL NUT PART NO. HIGH CAPACITY) | BN 063 R 020 H |
| BALL NUT WITH FLANGE PART NO. | BF 063 R 020 H |
| DYNAMIC LOAD CAPACITY** | 1,650 LB. |
| STATIC LOAD CAPACITY | 9,000 LB. |
| BALL NUT WEIGHT | 0.51 LB. |
| NOMINAL BALL DIA. (AVG. BALL QTY.) | 1/8 IN. (134) |
| FLANGE PART NO. | FL-0937 |
| WIPER KIT PART NO. | WK-30A |

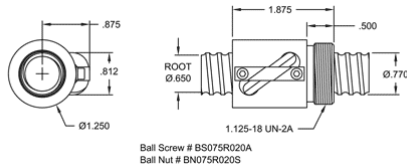
** for 1,000,000 inches

0.750 IN. DIAMETER - 0.200 IN. LEAD

This 0.750 inch diameter ball screw has a 0.200 inch lead. Corresponding standard capacity ball nuts and high capacity ball nuts are available with right-hand threads.

| BALL SCREW SPECIFICATIONS | RH |
|------------------------------|----------------|
| BALL SCREW PART NO. | BS 075 R 020 A |
| NOMINAL BALL CIRCLE DIAMETER | 0.750 IN. |
| LEAD | 0.200 IN. |
| SCREW DIAMETER | 0.770 IN. |
| ROOT DIAMETER | 0.650 IN. |
| SCREW WEIGHT | 1.35 LB./FT. |
| TORQUE TO RAISE 1 POUND* | 0.035 IN.-LB. |
| MAXIMUM SCREW LENGTH | 12 FT. |

* Torque to raise 1 pound = 0.177 x inches lead x pounds load

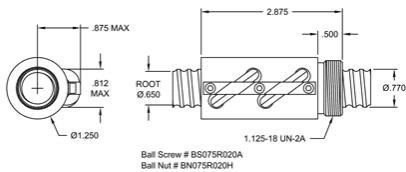


Standard Capacity Ball Nut Specifications (S)

Right hand thread direction shown.

| BALL NUT SPECIFICATIONS | RH |
|---------------------------------------|----------------|
| BALL NUT PART NO. (STANDARD CAPACITY) | BN 075 R 020 S |
| BALL NUT WITH FLANGE PART NO. | BF 075 R 020 S |
| DYNAMIC LOAD CAPACITY** | 950 LB. |
| STATIC LOAD CAPACITY | 8,900 LB. |
| BALL NUT WEIGHT | 0.33 LB. |
| NOMINAL BALL DIA. (AVG. BALL QTY.) | 1/8 IN. (84) |
| FLANGE PART NO. | FL-1125 |
| WIPER KIT PART NO. | WK-34 |

** for 1,000,000 inches



High Capacity Ball Nut Specifications (H)

Right hand thread direction shown.

| BALL NUT SPECIFICATIONS | RH |
|------------------------------------|----------------|
| BALL NUT PART NO. HIGH CAPACITY) | BN 075 R 020 H |
| BALL NUT WITH FLANGE PART NO. | BF 075 R 020 H |
| DYNAMIC LOAD CAPACITY** | 1,900 LB. |
| STATIC LOAD CAPACITY | 17,800 LB. |
| BALL NUT WEIGHT | 0.53 LB. |
| NOMINAL BALL DIA. (AVG. BALL QTY.) | 1/8 IN. (168) |
| FLANGE PART NO. | FL-1125 |
| WIPER KIT PART NO. | WK-34 |

** for 1,000,000 inches

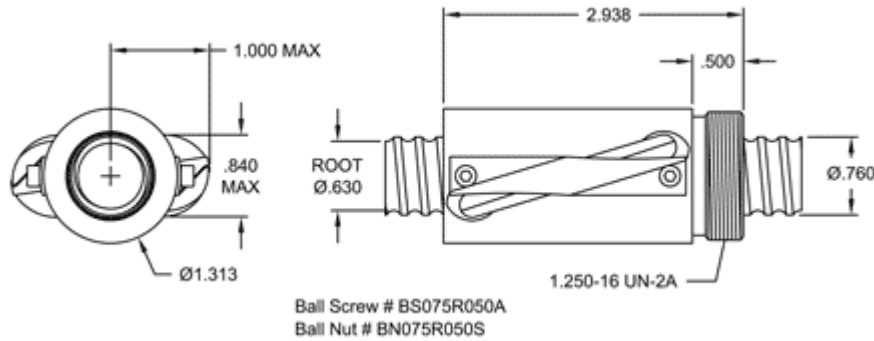
0.750 IN. DIAMETER - 0.500 IN. LEAD

This 0.750 inch diameter ball screw has a 0.500 inch lead. Corresponding standard capacity ball nuts are available with right-hand threads.

| | |
|----------------------------------|-----------------------|
| BALL SCREW SPECIFICATIONS | RH |
| BALL SCREW PART NO. | BS 075 R 050 A |
| NOMINAL BALL CIRCLE DIAMETER | 0.750 IN. |
| LEAD | 0.500 IN. |
| SCREW DIAMETER | 0.760 IN. |
| ROOT DIAMETER | 0.630 IN. |
| SCREW WEIGHT | 1.35 LB./FT. |
| TORQUE TO RAISE 1 POUND* | 0.089 IN.-LB. |
| MAXIMUM SCREW LENGTH | 12 FT. |

* Torque to raise 1 pound = 0.177 x inches lead x pounds load

Standard Capacity Ball Nut Specifications (S)



Right hand thread direction shown.

| | |
|--|-----------------------|
| BALL NUT SPECIFICATIONS | RH |
| BALL NUT PART NO. (STANDARD CAPACITY) | BN 075 R 050 S |
| BALL NUT WITH FLANGE PART NO. | BN 075 R 050 S |
| DYNAMIC LOAD CAPACITY** | 3,400 LB. |
| STATIC LOAD CAPACITY | 21,000 LB. |
| BALL NUT WEIGHT | 0.68 LB. |
| NOMINAL BALL DIA. (AVG. BALL QTY.) | 5/32 IN. (150) |
| FLANGE PART NO. | FL-1250 |
| WIPER KIT PART NO. | WK-37 |

** for 1,000,000 inches

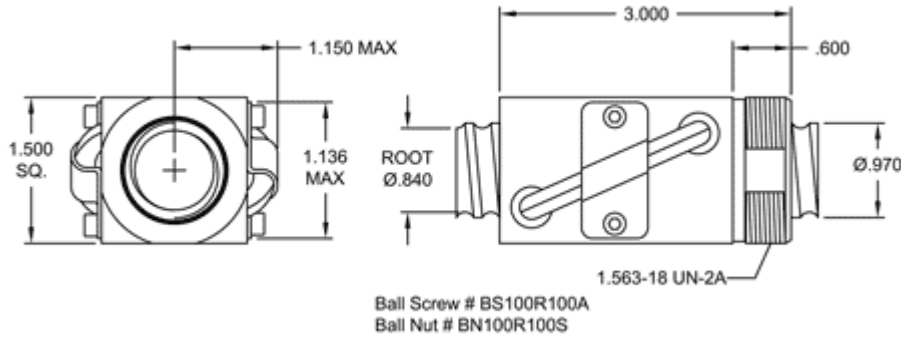
1.000 IN. DIAMETER - 1.000 IN. LEAD

This 1 inch diameter ball screw has a 1 inch lead. Corresponding ball nuts are available in standard capacity with right-hand threads.

| BALL SCREW SPECIFICATIONS | RH |
|------------------------------|--------------|
| BALL SCREW PART NO. | BS100R100A |
| NOMINAL BALL CIRCLE DIAMETER | 1.000 IN. |
| LEAD | 1.000 IN. |
| SCREW DIAMETER | 0.970 IN. |
| ROOT DIAMETER | 0.840 IN. |
| SCREW WEIGHT | 2.17 LB./FT. |
| TORQUE TO RAISE 1 POUND* | 0.177IN.-LB. |
| MAXIMUM SCREW LENGTH | 12 FT. |

* Torque to raise 1 pound = 0.177 x inches lead x pounds load

Standard Capacity Ball Nut Specifications (S)



Right hand thread direction shown.

| BALL NUT SPECIFICATIONS | RH |
|---------------------------------------|---------------|
| BALL NUT PART NO. (STANDARD CAPACITY) | BN100R100S |
| BALL NUT WITH FLANGE PART NO. | BF100R100S |
| DYNAMIC LOAD CAPACITY** | 2,300 LB. |
| STATIC LOAD CAPACITY | 11,500 LB. |
| BALL NUT WEIGHT | 1.12 LB. |
| NOMINAL BALL DIA. (AVG. BALL QTY.) | 5/32 IN. (98) |
| FLANGE PART NO. | FL-1563 |
| WIPER KIT PART NO. | WK-40 |

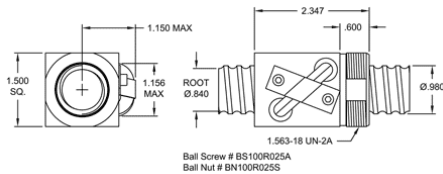
** for 1,000,000 inches

1.000 IN. DIAMETER - 0.250 IN. LEAD

This 1 inch diameter ball screw has a 0.250 inch lead. Corresponding ball nuts are available in standard capacity, high capacity, and ultra-high capacity..

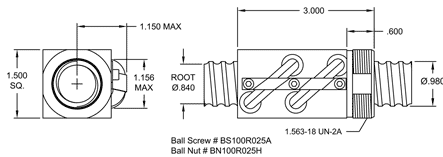
| BALL SCREW SPECIFICATIONS | RH | LH |
|------------------------------|----------------|----------------|
| BALL SCREW PART NO. | BS 100 R 025 A | BS 100 L 025 A |
| NOMINAL BALL CIRCLE DIAMETER | 1.000 IN. | |
| LEAD | 0.250 IN. | |
| SCREW DIAMETER | 0.980 IN. | |
| ROOT DIAMETER | 0.840 IN. | |
| SCREW WEIGHT | 2.18 LB./FT. | |
| TORQUE TO RAISE 1 POUND* | 0.044 IN.-LB. | |
| MAXIMUM SCREW LENGTH | 12 FT. | |

* Torque to raise 1 pound = 0.177 x inches lead x pounds load



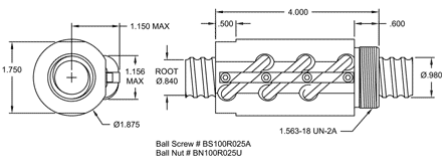
Standard Capacity Ball Nut Specifications (S)

| BALL NUT SPECIFICATIONS | RH | LH |
|---------------------------------------|----------------|----------------|
| BALL NUT PART NO. (STANDARD CAPACITY) | BN 100 R 025 S | BN 100 L 025 S |
| BALL NUT WITH FLANGE PART NO. | BF 100 R 025 S | BF 100 L 025 S |
| DYNAMIC LOAD CAPACITY** | 1,625 LB. | |
| STATIC LOAD CAPACITY | 13,000 LB. | |
| BALL NUT WEIGHT | 0.83 LB. | |
| NOMINAL BALL DIA. (AVG. BALL QTY.) | 5/32 IN. (85) | |
| FLANGE PART NO. | FL-1563 | |
| WIPER KIT PART NO. | WK-40 | |



High Capacity Ball Nut Specifications (H)

| BALL NUT SPECIFICATIONS | RH |
|------------------------------------|----------------|
| BALL NUT PART NO. HIGH CAPACITY) | BN 100 R 025 H |
| BALL NUT WITH FLANGE PART NO. | BF 100 L 025 H |
| DYNAMIC LOAD CAPACITY** | 3,250 LB. |
| STATIC LOAD CAPACITY | 26,000 LB. |
| BALL NUT WEIGHT | 1.12 LB. |
| NOMINAL BALL DIA. (AVG. BALL QTY.) | 5/32 IN. (170) |
| FLANGE PART NO. | FL-1563 |
| WIPER KIT PART NO. | WK-40 |



Ultra High Capacity Ball Nut Specifications (U)

| ALL NUT SPECIFICATIONS | RH |
|------------------------------------|----------------|
| BALL NUT PART NO. HIGH CAPACITY) | BN 100 R 025 U |
| BALL NUT WITH FLANGE PART NO. | BF 100 L 025 U |
| DYNAMIC LOAD CAPACITY** | 4,500 LB. |
| STATIC LOAD CAPACITY | 39,000 LB. |
| BALL NUT WEIGHT | 1.92 LB. |
| NOMINAL BALL DIA. (AVG. BALL QTY.) | 5/32 IN. (255) |
| FLANGE PART NO. | FL-1563 |
| WIPER KIT PART NO. | WK-40B |

** for 1,000,000 inches

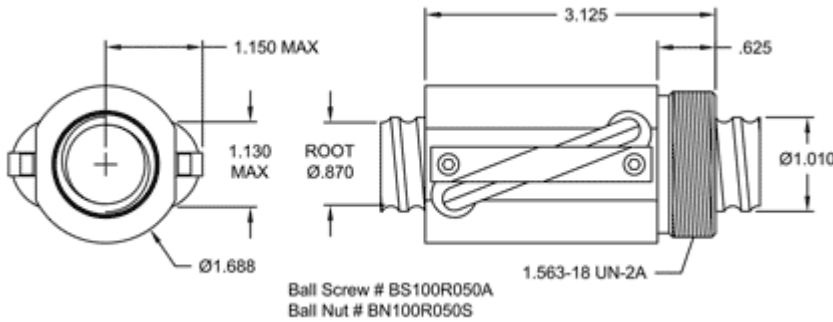
1.000 IN. DIAMETER -0.500 IN. LEAD

This 1 inch diameter ball screw has a 0.500 inch lead. Corresponding ball nuts are available in standard capacity with right-hand threads.

| | |
|----------------------------------|-----------------------|
| BALL SCREW SPECIFICATIONS | RH |
| BALL SCREW PART NO. | BS 100 R 050 A |
| NOMINAL BALL CIRCLE DIAMETER | 1.000 IN. |
| LEAD | 0.500 IN. |
| SCREW DIAMETER | 1.010 IN. |
| ROOT DIAMETER | 0.870 IN. |
| SCREW WEIGHT | 2.41 LB./FT. |
| TORQUE TO RAISE 1 POUND* | 0.089 IN.-LB. |
| MAXIMUM SCREW LENGTH | 12 FT. |

* Torque to raise 1 pound = 0.177 x inches lead x pounds load

Standard Capacity Ball Nut Specifications (S)



| | |
|--|-----------------------|
| BALL NUT SPECIFICATIONS | RH |
| BALL NUT PART NO. (STANDARD CAPACITY) | BN 100 R 050 S |
| BALL NUT WITH FLANGE PART NO. | BF 100 R 050 S |
| DYNAMIC LOAD CAPACITY** | 4,250 LB. |
| STATIC LOAD CAPACITY | 30,000 LB. |
| BALL NUT WEIGHT | 1.06 LB. |
| NOMINAL BALL DIA. (AVG. BALL QTY.) | 5/32 IN. (186) |
| FLANGE PART NO. | FL-1563 |
| WIPER KIT PART NO. | WK-43 |

** for 1,000,000 inches

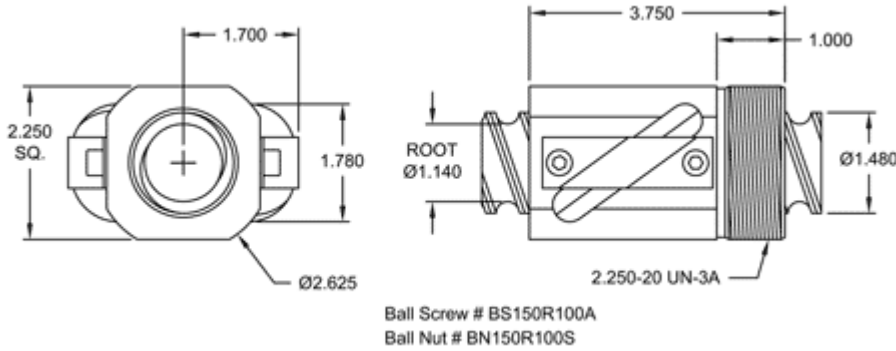
1.500 IN. DIAMETER - 1.000 IN. LEAD

This 1.500 inch diameter ball screw has a 1 inch lead. Corresponding standard capacity ball nuts with right-hand threads are available.

| | |
|----------------------------------|-----------------------|
| BALL SCREW SPECIFICATIONS | RH |
| BALL SCREW PART NO. | BS 150 R 100 A |
| NOMINAL BALL CIRCLE DIAMETER | 1.500 IN. |
| LEAD | 1.000 IN. |
| SCREW DIAMETER | 1.480 IN. |
| ROOT DIAMETER | 1.140 IN. |
| SCREW WEIGHT | 4.52 LB./FT. |
| TORQUE TO RAISE 1 POUND* | 0.177 IN.-LB. |
| MAXIMUM SCREW LENGTH | 24 FT. |

* Torque to raise 1 pound = 0.177 x inches lead x pounds load

Standard Capacity Ball Nut Specifications (S)



| | |
|--|-----------------------|
| BALL NUT SPECIFICATIONS | RH |
| BALL NUT PART NO. (STANDARD CAPACITY) | BN 150 R 100 S |
| BALL NUT WITH FLANGE PART NO. | BF 150 R 100 S |
| DYNAMIC LOAD CAPACITY** | 8,000 LB. |
| STATIC LOAD CAPACITY | 34,500 LB. |
| BALL NUT WEIGHT | 2.64 LB. |
| NOMINAL BALL DIA. (AVG. BALL QTY.) | 11/32 IN. (64) |
| FLANGE PART NO. | FL-2250 |
| WIPER KIT PART NO. | WK-55 |

** for 1,000,000 inches

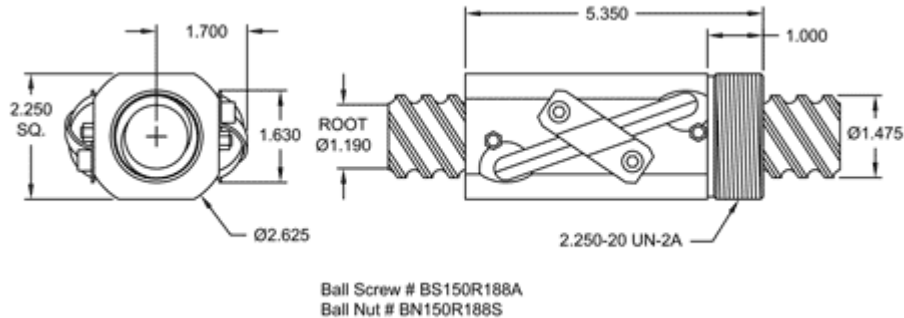
1.500 IN. DIAMETER - 1.875 IN. LEAD

This 1.500 inch diameter ball screw has a 1.875 inch lead. Corresponding standard capacity ball nuts with right-hand threads are available.

| BALL SCREW SPECIFICATIONS | RH |
|------------------------------|----------------|
| BALL SCREW PART NO. | BS 150 R 188 A |
| NOMINAL BALL CIRCLE DIAMETER | 1.500 IN. |
| LEAD | 1.875 IN. |
| SCREW DIAMETER | 1.475 IN. |
| ROOT DIAMETER | 1.190 IN. |
| SCREW WEIGHT | 4.83 LB./FT. |
| TORQUE TO RAISE 1 POUND* | 0.332 IN.-LB. |
| MAXIMUM SCREW LENGTH | 24 FT. |

* Torque to raise 1 pound = 0.177 x inches lead x pounds load

Standard Capacity Ball Nut Specifications (S)



| BALL NUT SPECIFICATIONS | RH |
|---------------------------------------|----------------|
| BALL NUT PART NO. (STANDARD CAPACITY) | BN 150 R 188 S |
| BALL NUT WITH FLANGE PART NO. | BF 150 R 188 S |
| DYNAMIC LOAD CAPACITY** | 7,350 LB. |
| STATIC LOAD CAPACITY | 30,000 LB. |
| BALL NUT WEIGHT | 3.9 LB. |
| NOMINAL BALL DIA. (AVG. BALL QTY.) | 9/32 IN. (90) |
| FLANGE PART NO. | FL-2250 |
| WIPER KIT PART NO. | WK-55 |

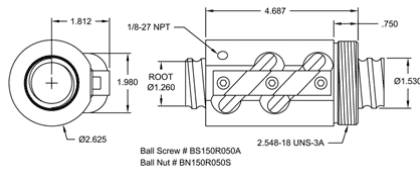
** for 1,000,000 inches

1.500 IN. DIAMETER - 0.500 IN. LEAD

This 1.500 inch diameter ball screw has a 0.500 inch lead. Corresponding ball nuts with right-hand threads are available in standard capacity or high capacity.

| BALL SCREW SPECIFICATIONS | RH |
|------------------------------|----------------|
| BALL SCREW PART NO. | BS 150 R 050 A |
| NOMINAL BALL CIRCLE DIAMETER | 1.500 IN. |
| LEAD | 0.500 IN. |
| SCREW DIAMETER | 1.530 IN. |
| ROOT DIAMETER | 1.260 IN. |
| SCREW WEIGHT | 5.34 LB./FT. |
| TORQUE TO RAISE 1 POUND* | 0.089 IN.-LB. |
| MAXIMUM SCREW LENGTH | 24 FT. |

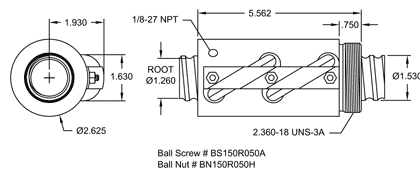
* Torque to raise 1 pound = 0.177 x inches lead x pounds load



Standard Capacity Ball Nut Specifications (S)

| BALL NUT SPECIFICATIONS | RH |
|---------------------------------------|----------------|
| BALL NUT PART NO. (STANDARD CAPACITY) | BN 150 R 050 S |
| BALL NUT WITH FLANGE PART NO. | BF 150 R 050 S |
| DYNAMIC LOAD CAPACITY** | 9,050 LB. |
| STATIC LOAD CAPACITY | 55,000 LB. |
| BALL NUT WEIGHT | 4.18 LB. |
| NOMINAL BALL DIA. (AVG. BALL QTY.) | 5/16 IN. (102) |
| FLANGE PART NO. | FL-2548-B |
| WIPER KIT PART NO. | WK-50 |

** for 1,000,000 inches



High Capacity Ball Nut Specifications (H)

| BALL NUT SPECIFICATIONS | RH |
|---------------------------------------|----------------|
| BALL NUT PART NO. (STANDARD CAPACITY) | BN 150 R 050 H |
| BALL NUT WITH FLANGE PART NO. | BF 150 R 050 H |
| DYNAMIC LOAD CAPACITY** | 12,900 LB. |
| STATIC LOAD CAPACITY | 56,000 LB. |
| BALL NUT WEIGHT | 4.99 LB. |
| NOMINAL BALL DIA. (AVG. BALL QTY.) | 5/16 IN. (140) |
| FLANGE PART NO. | FL-2360 |
| WIPER KIT PART NO. | WK-50A |

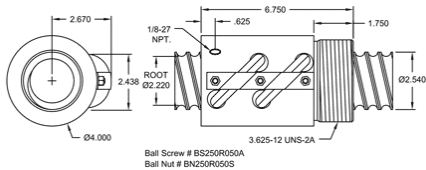
** for 1,000,000 inches

2.250 IN. DIAMETER - 0.500 IN. LEAD

This 2.250 inch diameter ball screw has a 0.500 inch lead. Corresponding standard capacity and high capacity ball nuts with right-hand threads are available.

| BALL SCREW SPECIFICATIONS | RH |
|------------------------------|----------------|
| BALL SCREW PART NO. | BS 225 R 050 A |
| NOMINAL BALL CIRCLE DIAMETER | 2.250 IN. |
| LEAD | 0.500 IN. |
| SCREW DIAMETER | 2.185 IN. |
| ROOT DIAMETER | 1.860 IN. |
| SCREW WEIGHT | 10.92 LB./FT. |
| TORQUE TO RAISE 1 POUND* | 0.089 IN.-LB. |
| MAXIMUM SCREW LENGTH | 24 FT. |

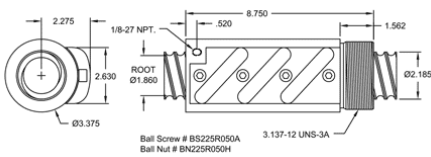
* Torque to raise 1 pound = 0.177 x inches lead x pounds load



Standard Capacity Ball Nut Specifications (S)

| BALL NUT SPECIFICATIONS | RH |
|---------------------------------------|----------------|
| BALL NUT PART NO. (STANDARD CAPACITY) | BN 225 R 050 S |
| BALL NUT WITH FLANGE PART NO. | BF 225 R 050 S |
| DYNAMIC LOAD CAPACITY** | 19,800 LB. |
| STATIC LOAD CAPACITY | 142,500 LB. |
| BALL NUT WEIGHT | 8.25 LB. |
| NOMINAL BALL DIA. (AVG. BALL QTY.) | 3/8 IN. (154) |
| FLANGE PART NO. | FL-3137 |
| WIPER KIT PART NO. | WK-60 |

** for 1,000,000 inches



High Capacity Ball Nut Specifications (H)

| BALL NUT SPECIFICATIONS | RH |
|---------------------------------------|----------------|
| BALL NUT PART NO. (STANDARD CAPACITY) | BN 225 R 050 H |
| BALL NUT WITH FLANGE PART NO. | BF 225 R 050 H |
| DYNAMIC LOAD CAPACITY** | 29,700 LB. |
| STATIC LOAD CAPACITY | 213,000 LB. |
| BALL NUT WEIGHT | 11.22 LB. |
| NOMINAL BALL DIA. (AVG. BALL QTY.) | 3/8 IN. (237) |
| FLANGE PART NO. | FL-3137 |
| WIPER KIT PART NO. | WK-60 |

** for 1,000,000 inches

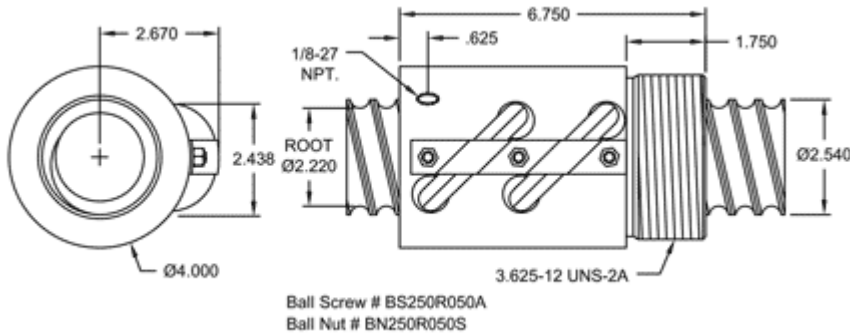
2.500 IN. DIAMETER - 0.500 IN. LEAD

This 2.500 inch diameter ball screw has a 0.500 inch lead. Corresponding standard capacity ball nuts with right-hand threads are available.

| BALL SCREW SPECIFICATIONS | RH |
|------------------------------|----------------|
| BALL SCREW PART NO. | BS 250 R 050 A |
| NOMINAL BALL CIRCLE DIAMETER | 2.500 IN. |
| LEAD | 0.500 IN. |
| SCREW DIAMETER | 2.540 IN. |
| ROOT DIAMETER | 2.220 IN. |
| SCREW WEIGHT | 14.98 LB./FT. |
| TORQUE TO RAISE 1 POUND* | 0.089IN.-LB. |
| MAXIMUM SCREW LENGTH | 24 FT. |

* Torque to raise 1 pound = 0.177 x inches lead x pounds load

Standard Capacity Ball Nut Specifications (S)



| BALL NUT SPECIFICATIONS | RH |
|---------------------------------------|----------------|
| BALL NUT PART NO. (STANDARD CAPACITY) | BN 250 R 050 S |
| BALL NUT WITH FLANGE PART NO. | BF 250 R 050 S |
| DYNAMIC LOAD CAPACITY** | 22,000 LB. |
| STATIC LOAD CAPACITY | 155,500 LB. |
| BALL NUT WEIGHT | 12.09 LB. |
| NOMINAL BALL DIA. (AVG. BALL QTY.) | 3/8 IN. (186) |
| FLANGE PART NO. | FL-3625 |
| WIPER KIT PART NO. | WK-70 |

** for 1,000,000 inches

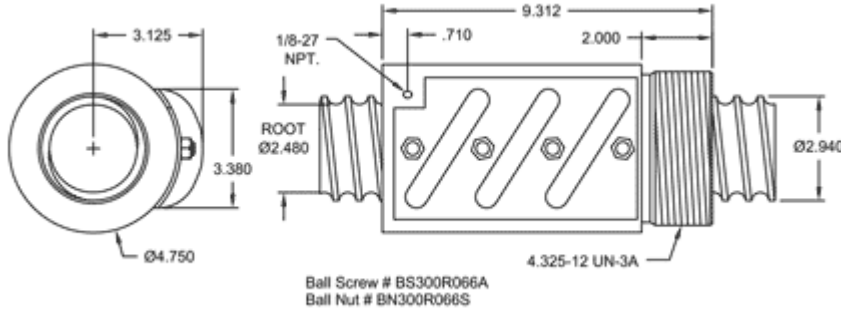
3.000 IN. DIAMETER - 0.660 IN. LEAD

This 3 inch diameter ball screw has a 0.660 inch lead. Corresponding standard capacity ball nuts with right-hand threads are available.

| | |
|----------------------------------|-----------------------|
| BALL SCREW SPECIFICATIONS | RH |
| BALL SCREW PART NO. | BS 300 R 066 A |
| NOMINAL BALL CIRCLE DIAMETER | 3.000 IN. |
| LEAD | 0.660 IN. |
| SCREW DIAMETER | 2.940 IN. |
| ROOT DIAMETER | 2.480 IN. |
| SCREW WEIGHT | 19.43 LB./FT. |
| TORQUE TO RAISE 1 POUND* | 0.117 IN.-LB. |
| MAXIMUM SCREW LENGTH | 24 FT. |

* Torque to raise 1 pound = 0.177 x inches lead x pounds load

Standard Capacity Ball Nut Specifications (S)



| | |
|--|-----------------------|
| BALL NUT SPECIFICATIONS | RH |
| BALL NUT PART NO. (STANDARD CAPACITY) | BN 300 R 066 S |
| BALL NUT WITH FLANGE PART NO. | BF 300 R 066 S |
| DYNAMIC LOAD CAPACITY** | 42,000 LB. |
| STATIC LOAD CAPACITY | 260,000 LB. |
| BALL NUT WEIGHT | 25.02 LB. |
| NOMINAL BALL DIA. (AVG. BALL QTY.) | 1/2 IN. (177) |
| FLANGE PART NO. | FL-4325-B |
| WIPER KIT PART NO. | WK-80 |

** for 1,000,000 inches

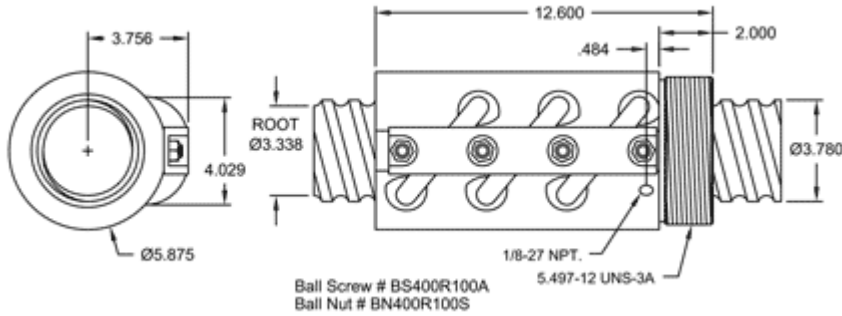
4.000 IN. DIAMETER - 1.000 IN. LEAD

This 4 inch diameter ball screw has a 1 inch lead. Corresponding standard capacity ball nuts with right-hand threads are available.

| | |
|----------------------------------|-----------------------|
| BALL SCREW SPECIFICATIONS | RH |
| BALL SCREW PART NO. | BS 400 R 100 A |
| NOMINAL BALL CIRCLE DIAMETER | 4.000 IN. |
| LEAD | 1.000 IN. |
| SCREW DIAMETER | 3.780 IN. |
| ROOT DIAMETER | 3.338 IN. |
| SCREW WEIGHT | 31.09 LB./FT. |
| TORQUE TO RAISE 1 POUND* | .177 IN.-LB. |
| MAXIMUM SCREW LENGTH | 24 FT. |

* Torque to raise 1 pound = 0.177 x inches lead x pounds load

Standard Capacity Ball Nut Specifications (S)



| | |
|--|-----------------------|
| BALL NUT SPECIFICATIONS | RH |
| BALL NUT PART NO. (STANDARD CAPACITY) | BN 400 R 100 S |
| BALL NUT WITH FLANGE PART NO. | BF 400 R 100 S |
| DYNAMIC LOAD CAPACITY** | 85,000 LB. |
| STATIC LOAD CAPACITY | 476,950 LB. |
| BALL NUT WEIGHT | 41.07 LB. |
| NOMINAL BALL DIA. (AVG. BALL QTY.) | 5/8 IN. (186) |
| FLANGE PART NO. | FL-5497 |
| WIPER KIT PART NO. | WK-90 |

** for 1,000,000 inches