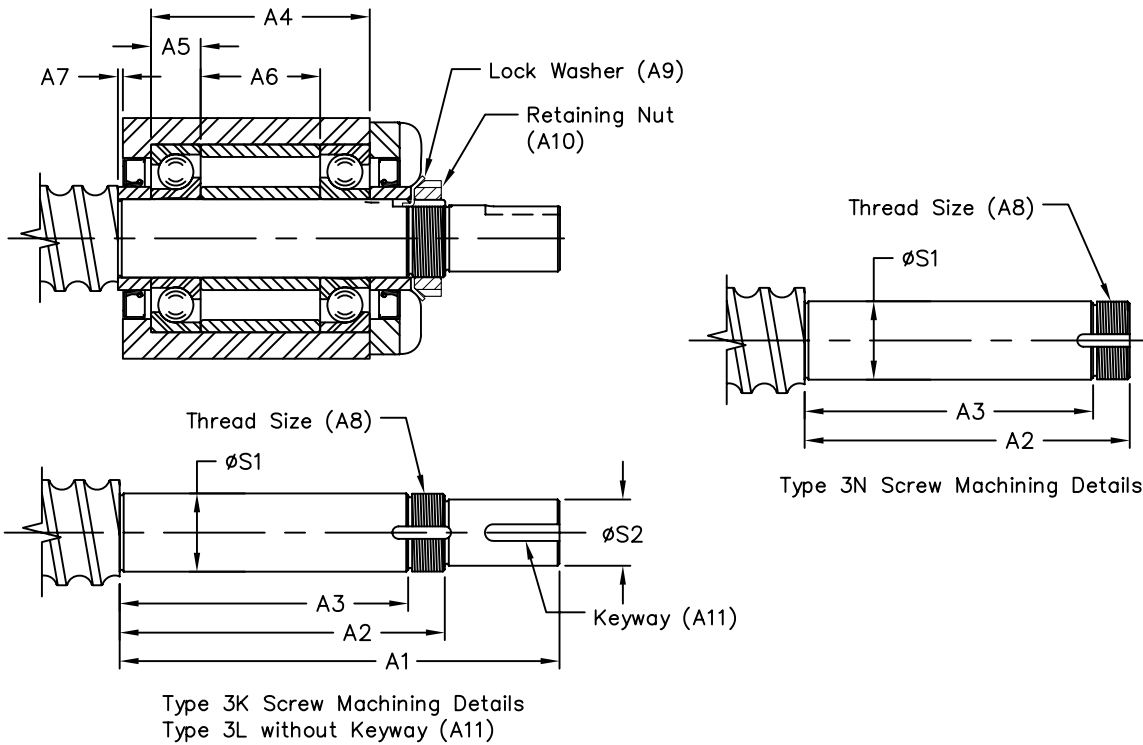
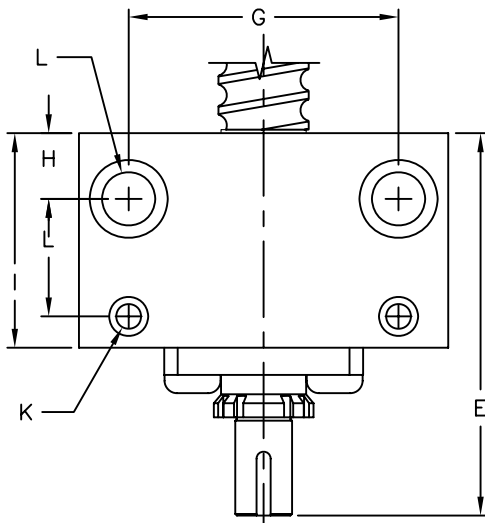
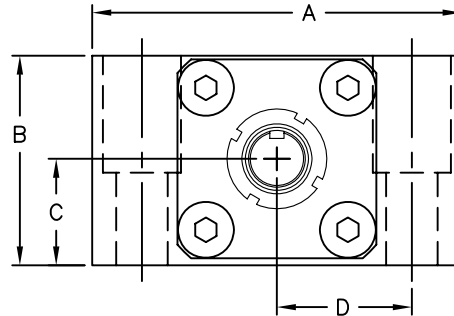


Joyce Ball Screw - FB Bearing Mounts Ball Screw End Machining Details

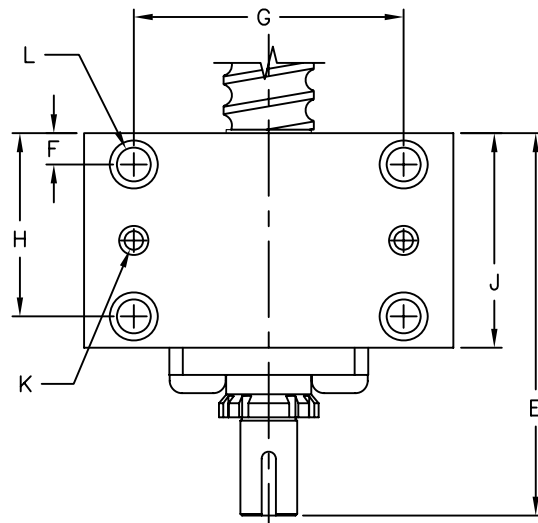


Screw Number	Bearing Mount No.	$\phi S1$	$\phi S2$	A1	A2	A3	A4	A5	A6	A7	A8	A9	A10	A11
BS063R020A BS063L020A	FB-12	.4726 .4723	.406 .405	4.30	3.00	2.35	1.850	.472	.923	.038	.469-32 UNS	W-01	N-01	1/8 X 5/8
BS075R020A BS075R050A	FB-15	.5908 .5905	.500 .499	4.62	3.31	2.73	2.000	.512	.995	.035	.586-32 UNS	W-02	N-02	1/8 X 5/8
BS100R025A BS100L025A BS100R050A BS100R100A	FB-20	.7877 .7873	.625 .624	5.05	3.80	3.10	2.375	.590	1.217	.035	.781-32 UNS	W-04	N-04	3/16 X 5/8
BS150R100A BS150R188A	FB-25	.9846 .9842	.750 .749	6.06	4.50	3.75	2.815	.669	1.500	.083	.969-32 UNS	W-05	N-05	3/16 X 1
BS150R050A	FB-30	1.1814 1.1810	1.000 .999	6.67	4.92	4.20	3.300	.748	1.828	.075	1.173-18 UNS	W-06	N-06	1/4 X 1
BS225R050A		1.7721 1.7716	1.375 1.374	8.62	6.37	5.60	4.694	.984	2.75	.035	1.767-18 UNS	W-09	N-09	5/16 X 1 1/2
BS250R050A		2.1659 2.1653	1.875 1.874	10.10	7.35	6.50	5.608	1.142	3.35	.035	2.157-18 UNS	W-11	N-11	1/2 X 1 1/2
BS300R066A		2.3627 2.3622	2.250 2.249	11.56	8.06	7.15	6.035	1.220	3.62	.062	2.360-18 UNS	W-12	N-12	1/2 X 2
BS400R100A		3.1501 3.1495	3.000 2.998	14.50	9.95	8.95	7.845	1.535	4.80	.062	3.137-12 UNS	W-16	N-16	3/4 X 3

Joyce Ball Screw - FB Bearing Mounts



Plan View For
FB-20, 25, & 30



Plan View For FB-12
& 15

Screw Number	Bearing Mount No.	A	B	C	D	E	F	G	H	I	J	K	L
BS063R020A BS063L020A	FB-12	3.000	1.875	1.000	1.125	4.262	.438	2.250	1.688	1.063	2.125	.250 Thru .375 C'Bore #5 Taper Pin	.406 Thru .625 C'Bore 1.130 Deep
BS075R020A BS075R050A	FB-15	3.500	2.125	1.125	1.250	4.585	.500	2.500	1.875	1.188	2.375	.250 Thru .375 C'Bore #5 Taper Pin	.406 Thru .625 C'Bore 1.310 Deep
BS100R025A BS100L025A BS100R050A BS100R100A	FB-20	4.500	2.750	1.438	1.625	5.015	.937	3.250	N/A	2.125	2.750	.437 Thru .687 C'Bore #8 Taper Pin	.688 Thru 1.000 C'Bore 1.625 Deep
BS150R100A BS150R188A	FB-25	6.500	3.690	1.875	2.375	5.977	.970	4.750	N/A	2.750	3.250	.437 Thru .687 C'Bore #8 Taper Pin	.937 Thru 1.375 C'Bore 2.250 Deep
BS150R050A	FB-30	6.500	3.690	1.875	2.375	6.595	1.156	4.750	N/A	3.225	3.725	.437 Thru .687 C'Bore #8 Taper Pin	.937 Thru 1.375 C'Bore 2.250 Deep