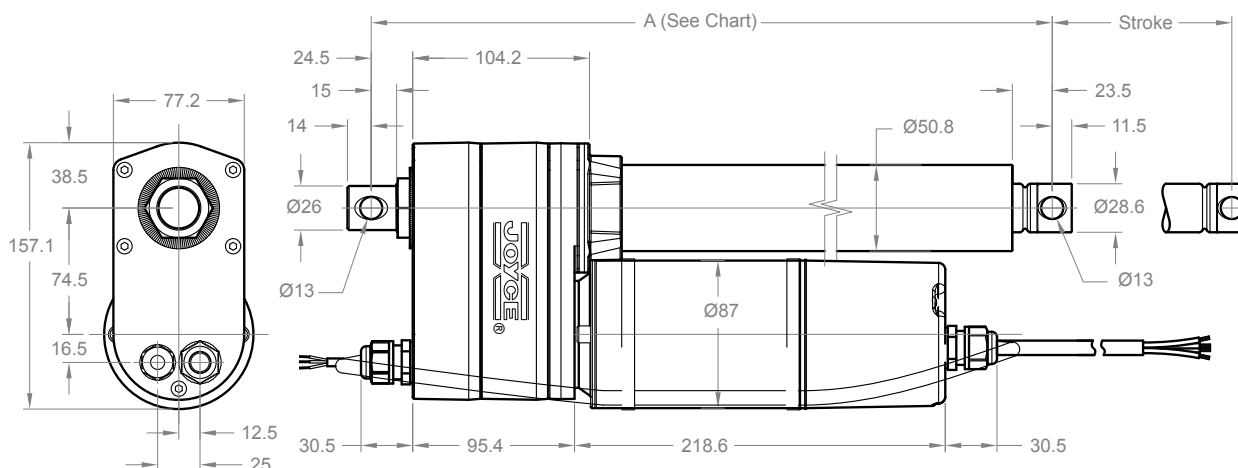


MA1527/MA3507 (120 VAC)

- 120 VAC
- Dynamic loads up to 3500N (787 lb)
- Static load capacity of 4500N (1012 lb)
- Maximum travel speeds (see chart)
- 25% duty cycle
- Clevis-to-clevis mounting
- Self-locking
- Preset limit switches can be adjusted
- Potentiometer
- IP65 protection rating
- Steel extension tube and outer tube
- Optional AC controls (see back cover)

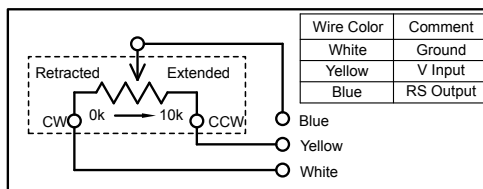
MA1527 / MA3507 Multipurpose Actuators (120 VAC)				
Part Number	Capacity N (lb)	Stroke mm (in)	Travel Speed mm/sec (in/min)	Retracted (A) mm (in)
MA1527B8115	1500 (337)	153 (6.0)	23 (54)	410 (16.1)
MA1527B8130	1500 (337)	305 (12.0)	23 (54)	613 (24.1)
MA1527B8145	1500 (337)	457 (18.0)	23 (54)	765 (30.1)
MA3507B8115	3500 (787)	153 (6.0)	6 (14)	410 (16.1)
MA3507B8130	3500 (787)	305 (12.0)	6 (14)	613 (24.1)
MA3507B8145	3500 (787)	457 (18.0)	6 (14)	765 (30.1)



All dimensions are in millimeters.

Limit switches are wired internally.

Potentiometer



Motor 120 VAC

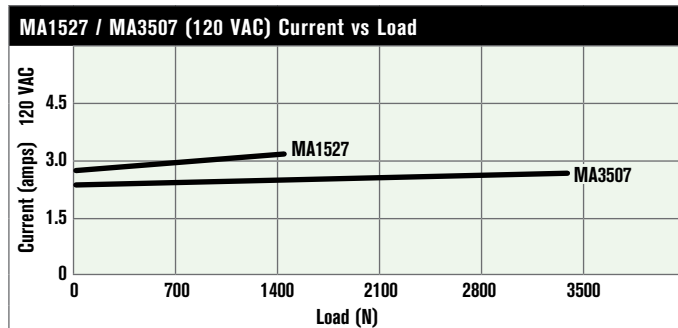
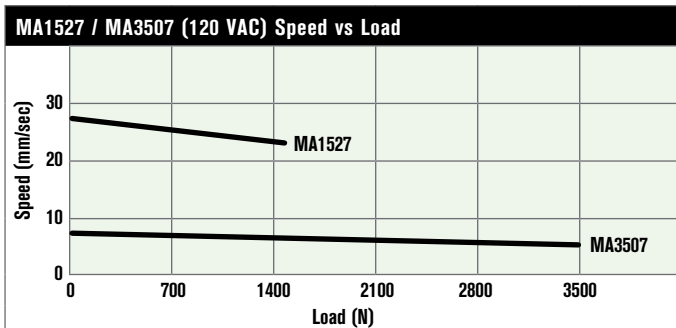
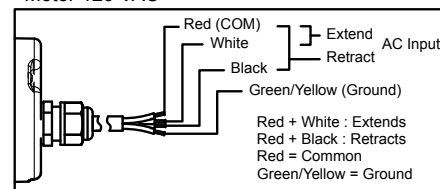


Chart values based on 18°C (64°F).