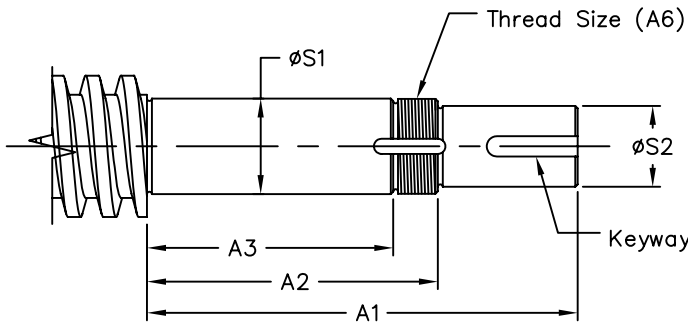
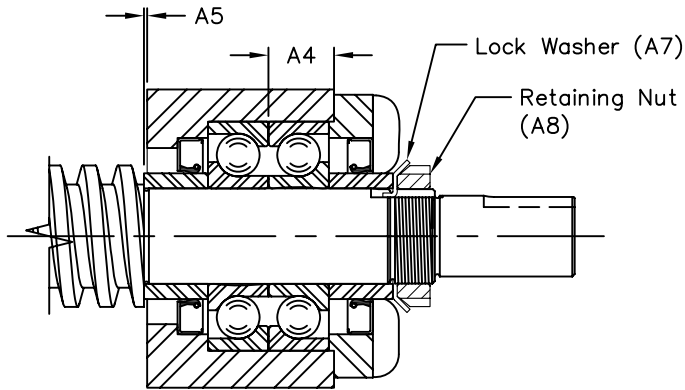
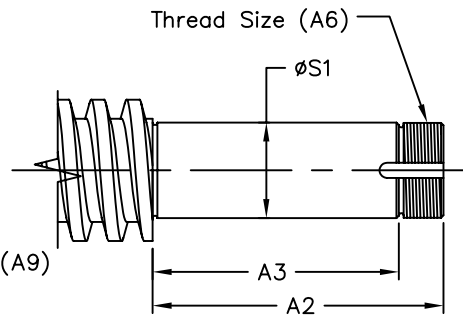


## Joyce Metric (Trapezoidal) Screw - DB Bearing Mounts Metric Screw End Machining Details



Type 2K Screw Machining Details  
Type 2L without Keyway (A9)

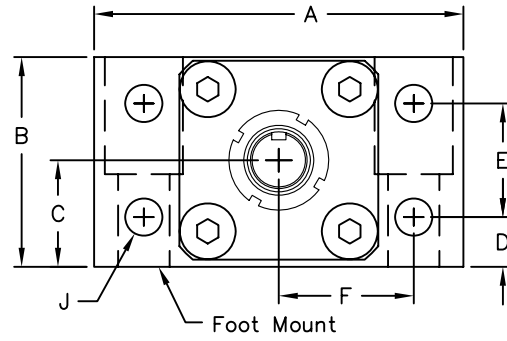
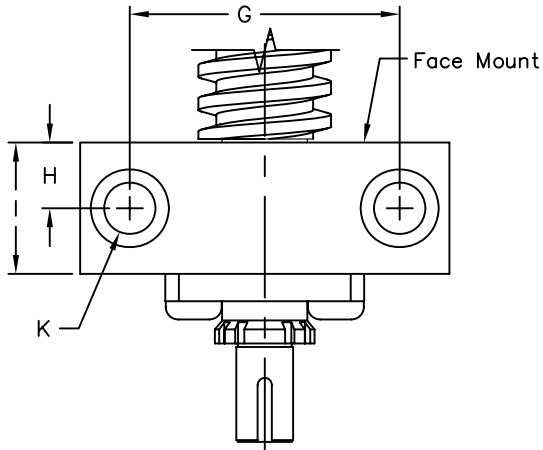


Type 2N Screw Machining Details

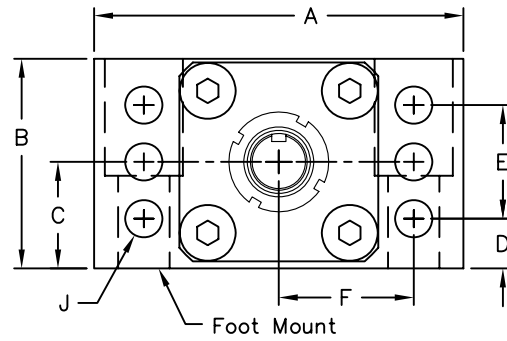
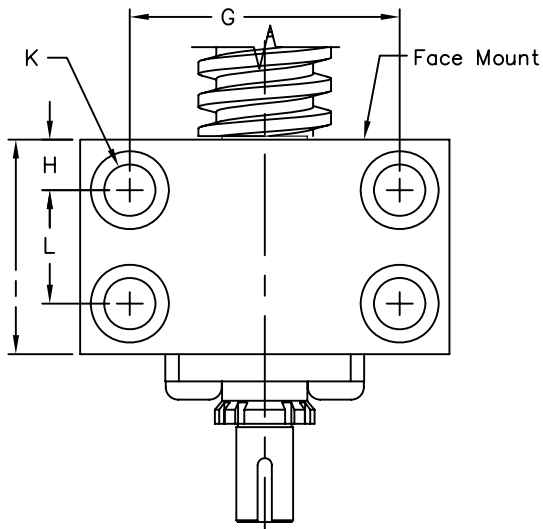
Note: Charted dimensions are in inches.

Screw Number	Bearing Mount No.	$\phi S1$	$\phi S2$	A1	A2	A3	A4	A5	A6	A7	A8	A9
TS020R005A TS022R005A	DB-12	.4726 .4723	.406 .405	3.29	2.00	1.566	.472	.000	.469-32 UNS	W-01	N-01	1/8 X 5/8
TS026R006A	DB-15	.5908 .5905	.500 .499	3.59	2.59	2.145	.512	.040	.586-32 UNS	W-02	N-02	1/8 X 5/8
TS030R006A	DB-20	.7877 .7873	.625 .624	4.00	2.88	2.378	.590	.040	.781-32 UNS	W-04	N-04	3/16 X 5/8
TS040R009A	DB-25	.9846 .9842	.750 .749	4.45	2.89	2.328	.669	.000	.969-32 UNS	W-05	N-05	3/16 X 1
TS055R012A	DB-30	1.1814 1.1810	1.000 .999	5.33	3.60	3.047	.748	.063	1.173-18 UNS	W-06	N-06	1/4 X 1

## Joyce Metric (Trapezoidal) Screw - DB Bearing Mounts



DB-10 Thru DB-30



DB-45

Note: Charted dimensions are in inches.

Screw Number	Bearing Mount No.	A	B	C	D	E	F	G	H	I	J	K	L
TS020R005A TS022R005A	DB-12	3.000	1.875	1.000	.375	1.125	1.125	2.250	.672	1.344	.281 (4x)	.406 Thru .625 C'Bore .875 Deep	N/A
TS026R006A	DB-15	3.500	2.125	1.125	.375	1.375	1.250	2.500	.813	1.625	.281 (4x)	.406 Thru .625 C'Bore 1.000 Deep	N/A
TS030R006A	DB-20	4.500	2.750	1.438	.500	1.750	1.625	3.250	.938	1.875	.469 (4x)	.656 Thru 1.000 C'Bore 1.312 Deep	N/A
TS040R009A	DB-25	6.500	3.690	1.875	.875	2.000	2.375	4.750	.970	1.940	.656 (4x)	.906 Thru 1.375 C'Bore 1.750 Deep	N/A
TS055R012A	DB-30	6.500	3.690	1.875	.875	2.000	2.375	4.750	1.156	2.312	.656 (4x)	.906 Thru 1.375 C'Bore 2.060 Deep	N/A