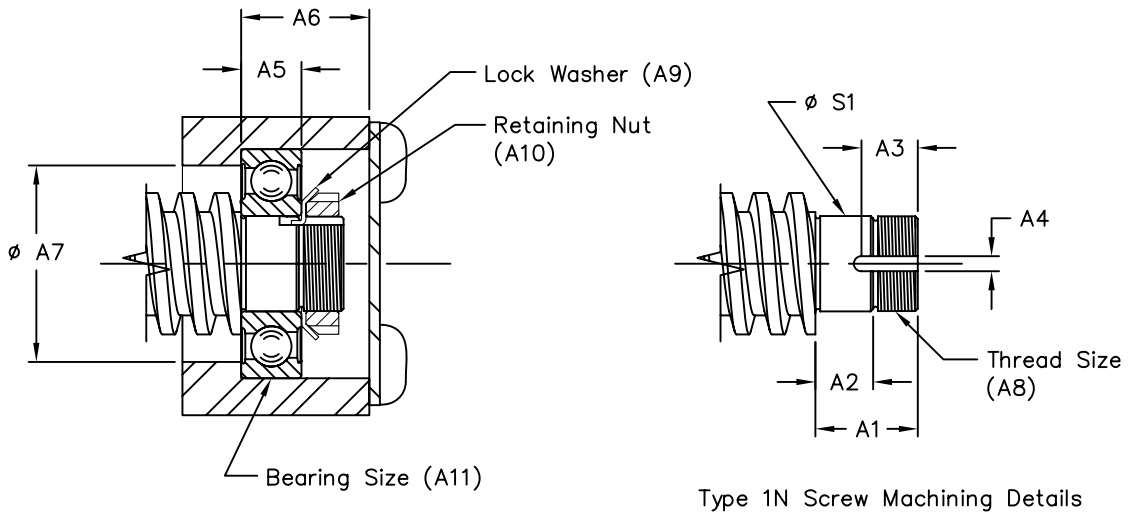


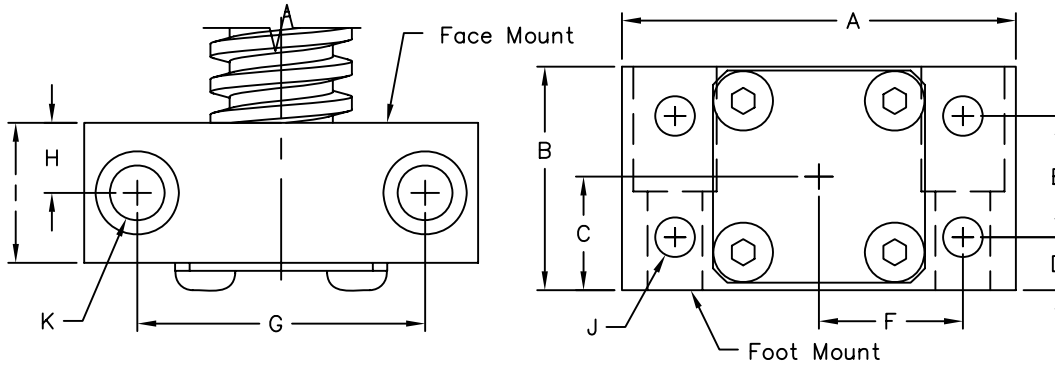
Joyce Metric (Trapezoidal) Screw - SB Bearing Mounts Metric Screw End Machining Details



Note: Charted dimensions are in inches.

Screw Number	Bearing Mount No.	$\phi S1$	A1	A2	A3	A4	A5	A6	$\phi A7$	A8	A9	A10	A11
TS020R005A TS022R005A	SB-12	.4726 .4723	.890	.450	.56	.127 .125	.472	1.029	1.25	.469-32 UNS	W-01	N-01	6301
TS026R006A	SB-15	.5908 .5905	.930	.490	.56	.127 .125	.512	1.094	1.38	.586-32 UNS	W-02	N-02	6302
TS030R006A	SB-20	.7877 .7873	1.070	.570	.63	.190 .188	.590	1.305	1.75	.781-32 UNS	W-04	N-04	6304
TS040R009A	SB-25	.9846 .9842	1.190	.650	.70	.190 .188	.669	1.420	2.06	.969-32 UNS	W-05	N-05	6305
TS055R012A	SB-30	1.1814 1.1810	1.275	.720	.70	.190 .188	.748	1.587	2.43	1.173-18 UNS	W-06	N-06	6306

Joyce Metric (Trapezoidal) Screw - SB Bearing Mounts



Note: Charted dimensions are in inches.

Screw Number	Bearing Mount No.	A	B	C	D	E	F	G	H	I	J	K
TS020R005A TS022R005A	SB-12	3.000	1.875	1.000	.375	1.125	1.125	2.250	.672	1.344	.281 (4x)	.406 Thru .625 C'Bore .875 Deep
TS026R006A	SB-15	3.500	2.125	1.125	.375	1.375	1.250	2.500	.813	1.625	.281 (4x)	.406 Thru .625 C'Bore 1.000 Deep
TS030R006A	SB-20	4.500	2.750	1.438	.500	1.750	1.625	3.250	.938	1.875	.469 (4x)	.656 Thru 1.000 C'Bore 1.312 Deep
TS040R009A	SB-25	6.500	3.690	1.875	.875	2.000	2.375	4.750	.970	1.940	.656 (4x)	.906 Thru 1.375 C'Bore 1.750 Deep
TS055R012A	SB-30	6.500	3.690	1.875	.875	2.000	2.375	4.750	1.156	2.312	.656 (4x)	.906 Thru 1.375 C'Bore 2.060 Deep