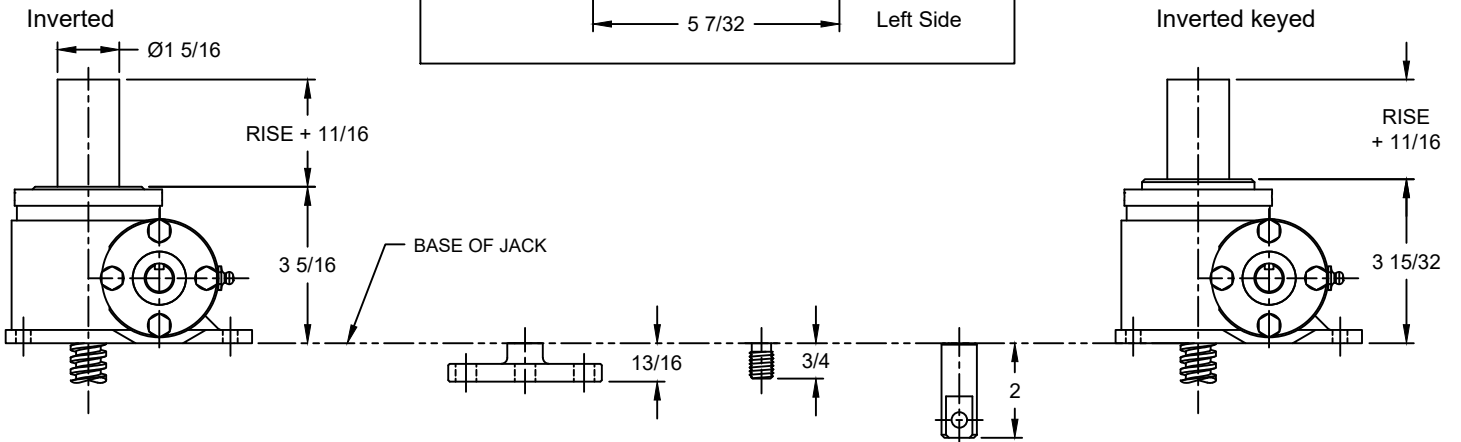
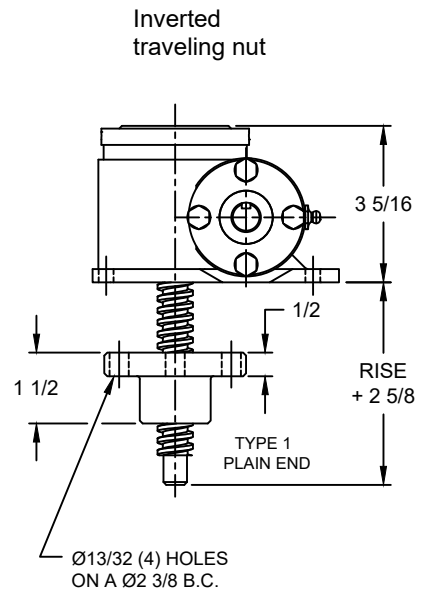
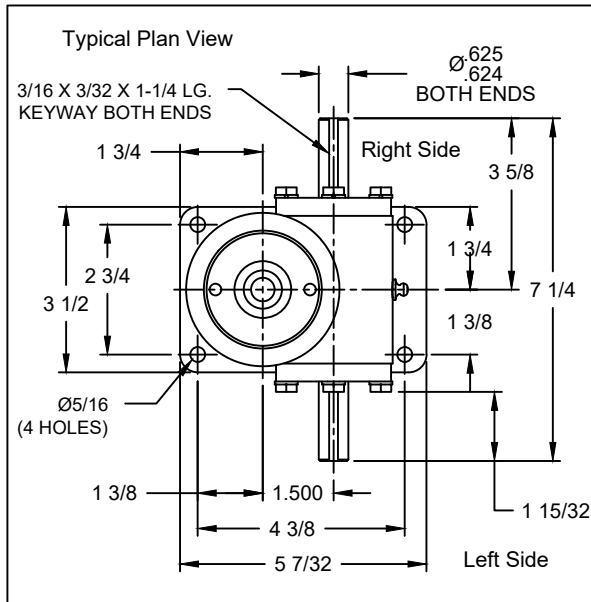
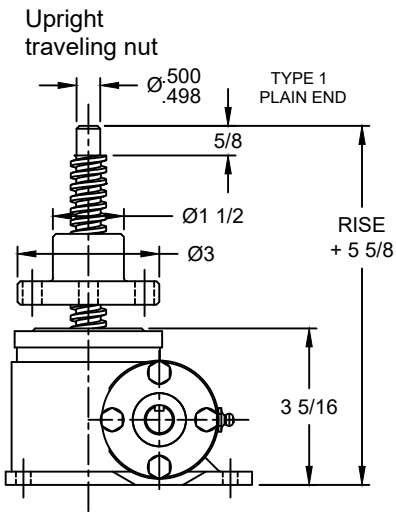
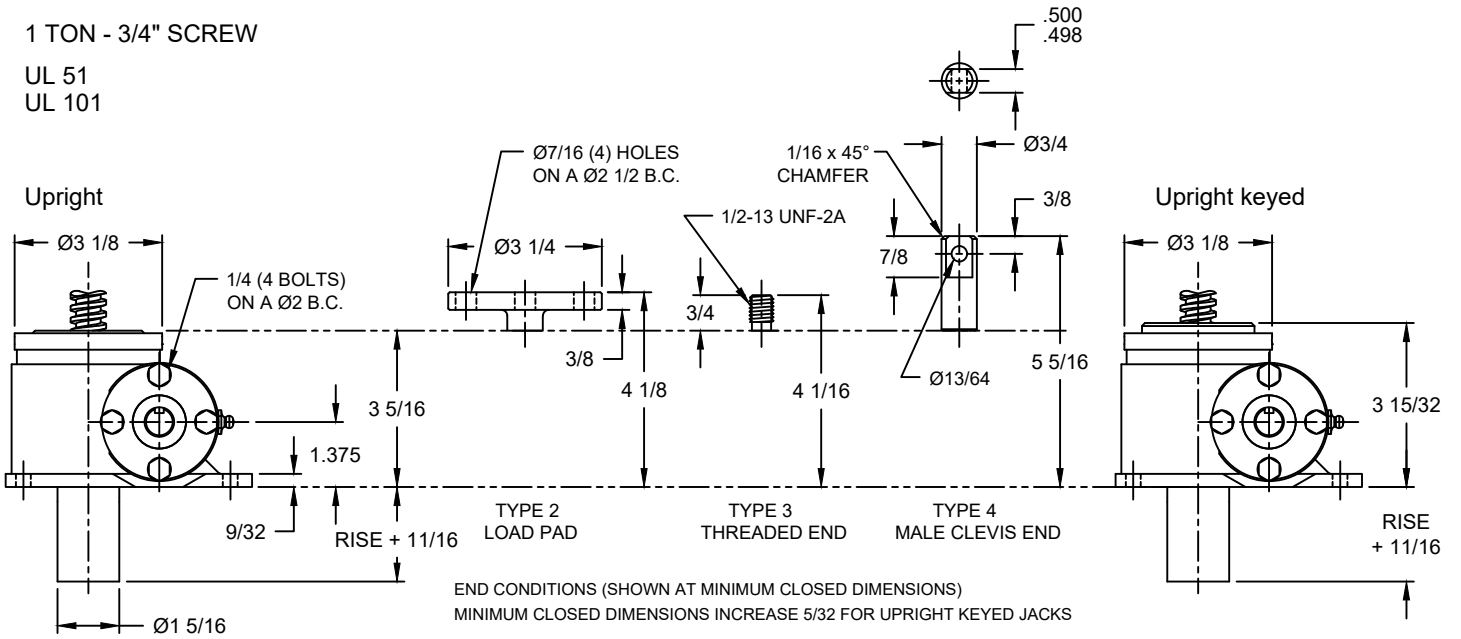


1 TON - 3/4" SCREW

UL 51
UL 101



Note: Drawings are artist's conception - not for certification; dimensions are subject to change without notice.