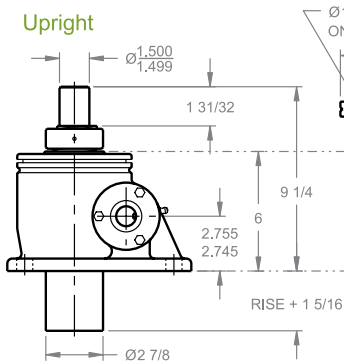


# MACHINE SCREW ComDRIVES®

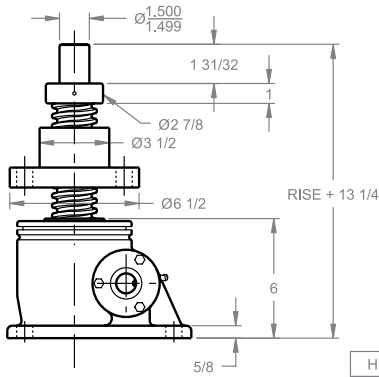
## 15 TON - 2 1/4" SCREW

CD 815 / DCD 815  
CD 2415 / DCD 2415

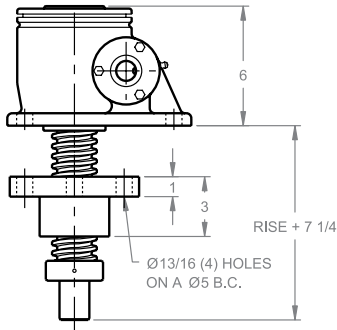
### Upright



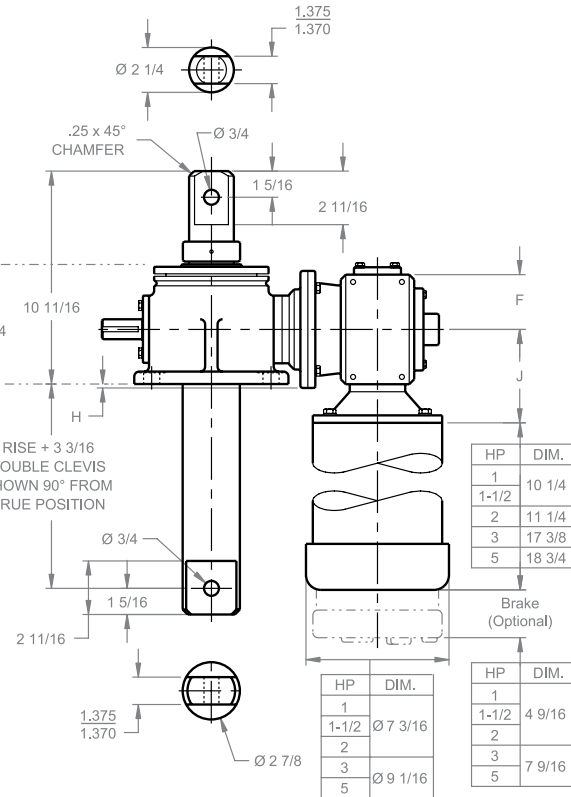
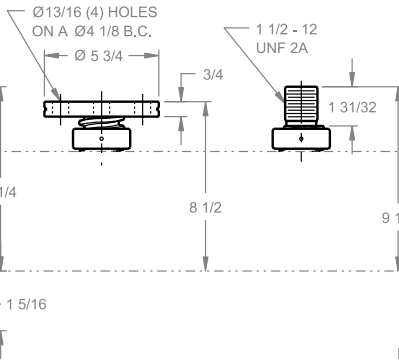
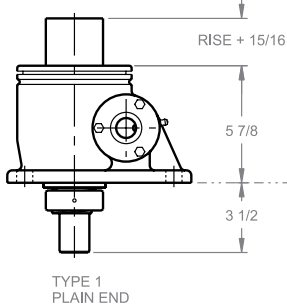
### Upright traveling nut



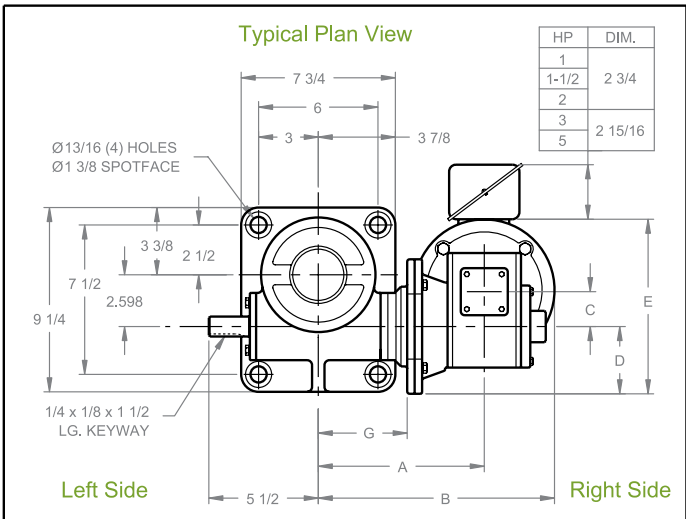
### Inverted traveling nut



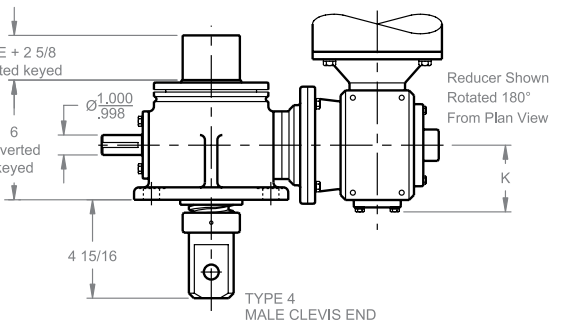
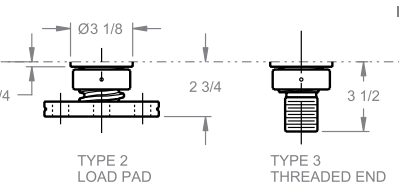
### Inverted



REDUCER DIMENSIONS			
HP	1, 1 1/2, 2	3, 5	
A	8 11/32	8 29/32	
B	11 21/32	13 17/32	
C	1 3/4	2 5/8	
D	3 3/8	4 7/16	
E	8 7/16	11 11/16	
F	2 3/4	3 7/8	
G	4 15/32	4 15/32	
H	0	1 1/8	
J	4 11/16	5 3/4	
K	3 11/32	4 5/16	



END CONDITIONS SHOWN AT MINIMUM CLOSED DIMENSIONS



NOTE: FOR LIFTING CAPACITIES SEE PAGE 49

Note: Drawings are artist's conception — not for certification; dimensions are subject to change without notice.