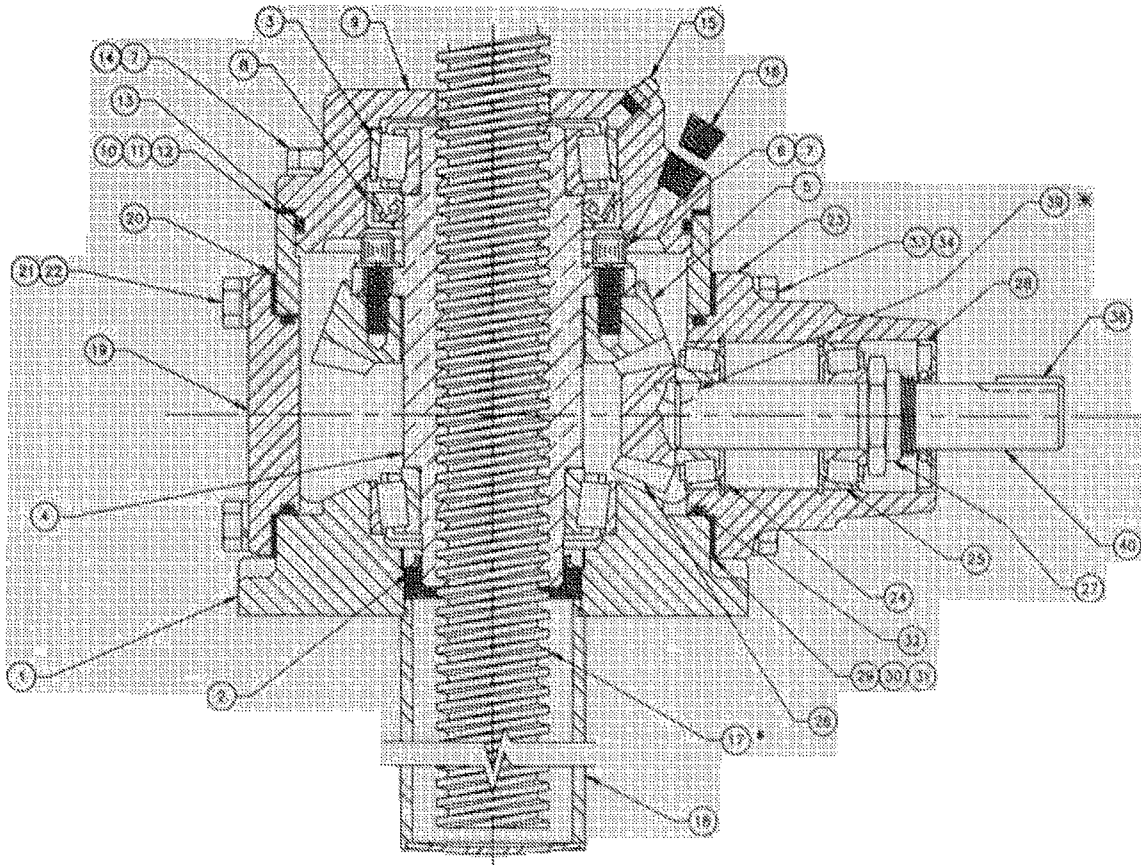


BACK SIDE OF JACK



For parts not listed and for nonstandard jacks, contact the Joyce/Dayton Corp.

To order parts give the capacity, model and serial number found on the name plate attached to the jack. Also specify whether upright or inverted, and the end condition of screw.

Below is the name plate as it appears on your jack. Record the information in the proper spaces exactly as it appears on the jack for your reference.



		Model Number								
		BG150			BG250			BG375		
Screw Diameter		1 1/2"			2 1/2"			4"		
Item	Description	Quantity Required								
1	Sleeve	1			1			1		
2	Lower Seal	1			1			1		
3	Thrust Bearing	2			2			2		
4	Jack Nut	1			1			1		
5	Bevel Gear	1			1			1		
6	Bevel Gear Mtg. Screw	6			6			6		
7	Lockwasher	14			14			14		
8	Upper Seal	1			1			1		
9	Sleeve Cap	1			1			1		
10	Sleeve Cap Shim, Blue	3			3			3		
11	Sleeve Cap Shim, Transparent	3			3			3		
12	Sleeve Cap Shim, Yellow	1			1			1		
13	O'Ring	1			1			1		
14	Sleeve Cap Screw	8			8			8		
15	Grease Fitting	1			1			1		
16	Fill Vent	1			1			1		
17	Jack Screw	1			1			1		
18	Protection Tube Assembly	1			1			1		
Note: Items 19-40 quantities are shown according to number of input shafts.										
Number Of Input Shafts		1	2	3	1	2	3	1	2	3
19	Cover Plate	2	2	0	2	1	0	2	1	0
20	Cover Plate Gasket	2	2	0	2	1	0	2	1	0
21	Cover Plate Screw	8	4	0	12	6	0	12	6	0
22	Cover Plate Lockwasher	8	4	0	12	6	0	12	6	0
23	Carrier Housing	1	2	3	1	2	3	1	2	3
24	Retaining Ring	2	4	6	2	4	6	2	4	6
25	Carrier Bearing	2	4	6	2	4	6	2	4	6
26	Bevel Pinion	1	2	3	1	2	3	1	2	3
27*	Locknut	1	2	3	1	2	3	1	2	3
28	Input Shaft Seal	1	2	3	1	2	3	1	2	3
29	Carrier Shim, Blue	3	6	9	3	6	9	3	6	9
30	Carrier Shim, Transparent	3	6	9	3	6	9	3	6	9
31	Carrier Shim, Yellow	1	2	3	1	2	3	1	2	3
32	O'Ring	3	3	3	3	3	3	3	3	3
33	Carrier Screw	4	8	12	6	2	18	6	2	18
34	Carrier Lockwasher	4	8	12	6	2	18	6	2	18
35	Pipe Plug	2	2	2	2	2	2	2	2	2
36	Name Plate	1	1	1	1	1	1	1	1	1
37	Drive Screw	2	2	2	2	2	2	2	2	2
38	Key	1	2	3	1	2	3	1	2	3
39**	Woodruff Key	0	0	0	1	2	3	1	2	3
40	Input Shaft	1	2	3	1	2	3	1	2	3
Oil Amounts In Ounces		18	20	22	45	48	51	100	104	108
* - Locknut Is On Opposite End Of The Input Shaft On BG250 And BG375. ** - Not used on BG150.										

HOW TO ORDER REPLACEMENT PARTS

In order to conserve space in the above chart, part numbers have not been used for the various items listed. In ordering spare parts you should list the model number of the Jack and the item number required. This serial number is the only way to positively identify your Jack.

The quantities listed under the various model numbers indicate the quantity required for a complete Jack.