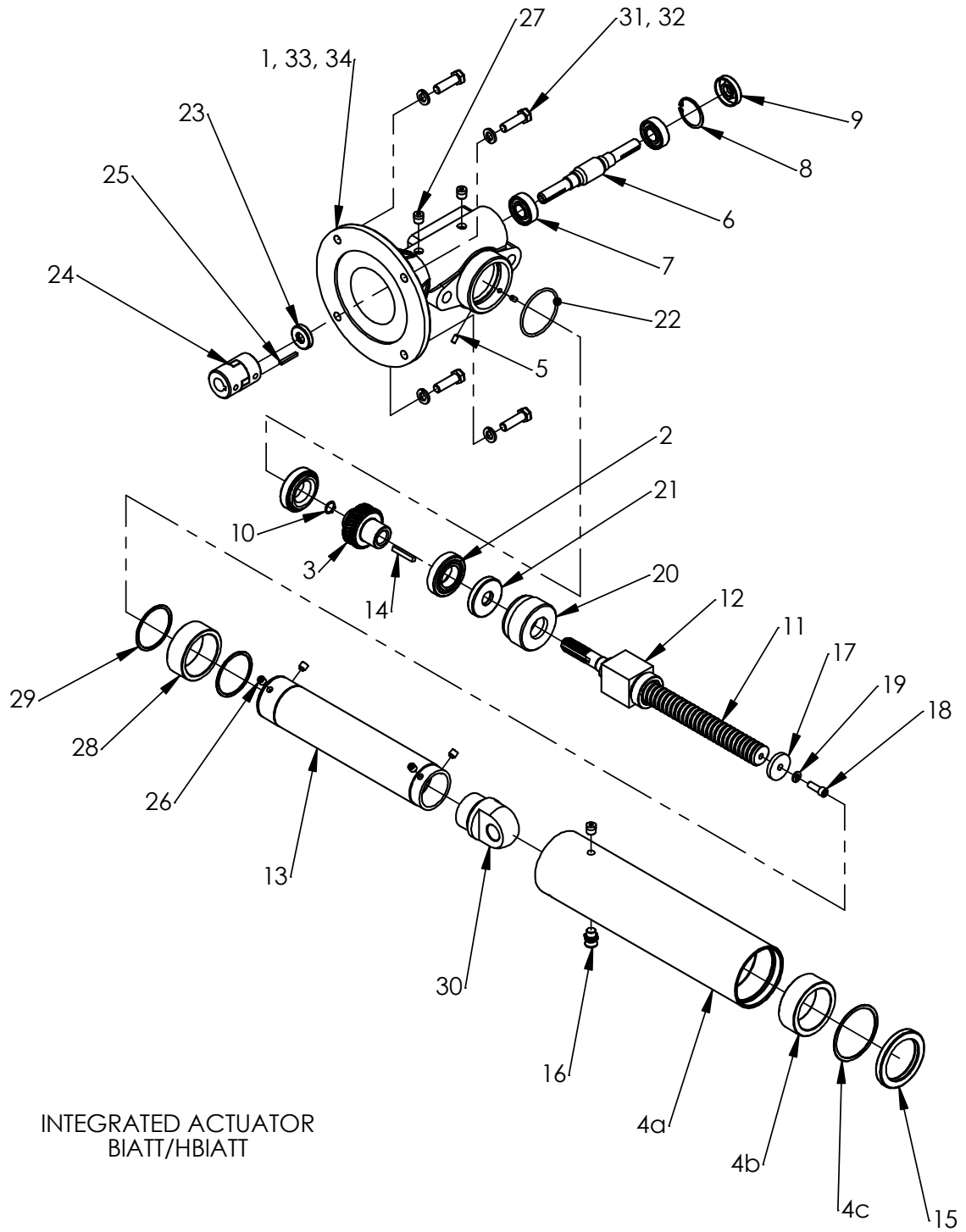


### 3-2 Exploded View of Translating Tube Actuator (TT)



**3-3 Parts List of Translating Tube Actuator (TT)  
BIA and HBIA Ball Screw**

Item	TRANSLATING TUBE (TT)
1	Ball Screw Integrated Actuator Sleeve (1)
2	Thrust Bearing (1 ton) (2)
3	Worm Gear Nut (1)
4	Protection Tube Assembly (1)
5	Set Screw (2)
6	Worm (1)
7	Worm Shaft Bearing (1 ton) (2)
8	Retaining Ring (1 ton) (1)
9	Worm Shaft Seal (1)
10	Retaining Ring – WJ1000 (1)
11	Ball Screw (TT) (1)
12	Ball Nut (TT) (1)
13	Translating Tube (BIA) (1)
14	Key (1)
15	Seal (1)
16	Air Vent 1/8 NPT (1)
17	Retainer (WB2) (1)
18	Screw (1)
19	Lock Washer (1)
20	Sleeve Bushing (1)
21	Seal (1)
22	O-Ring (1)
23	Worm Shaft Seal (2 ton) (1)
24	Coupling (1)
25	Key (M8120700) (1)
26	Set Screw (4)
27	Pipe Plug (1/8 – 27 NPT) (3)
28	Translating Tube Bushing (1)
29	Retaining Ring (WS-200) (2)
30	Clevis, Translating Tube (2.5T) (1)
31	Hex Head Screw (4)
32	Lock Washer (4)
33	Name Plate (1)
34	Drive Screw (2)