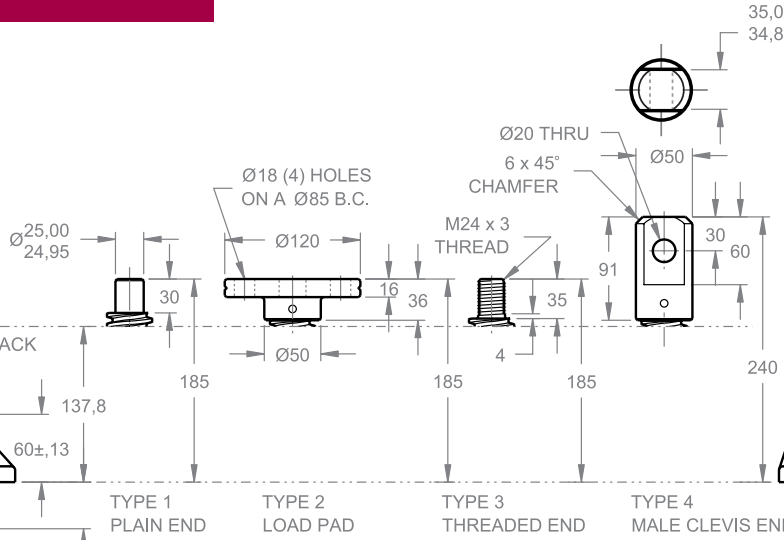
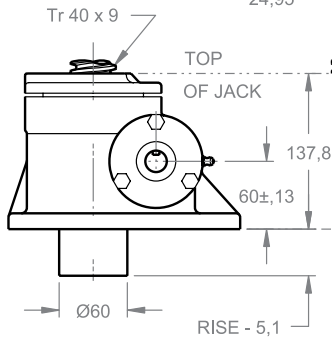


METRIC SCREW JACKS

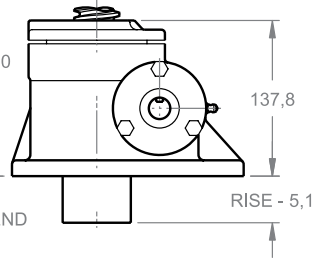
50kN - 40mm SCREW

MWJ 65
MWJ 125
MWJ 245

Upright

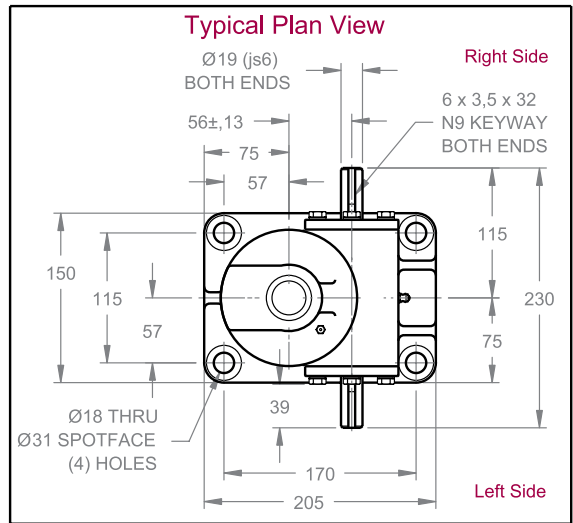
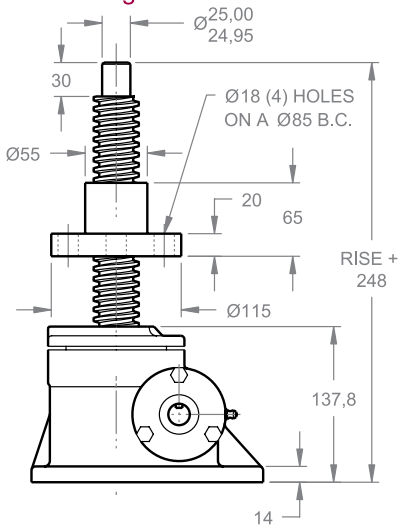


Upright keyed

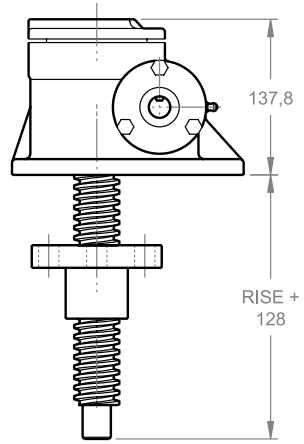


END CONDITIONS SHOWN AT MINIMUM CLOSE.
(CLOSED HEIGHT DIFFERS FOR UPRIGHT KEYED JACKS)

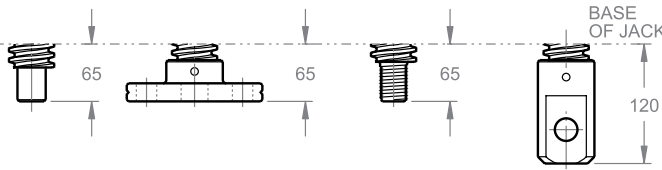
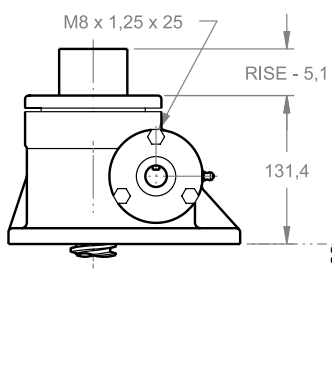
Upright traveling nut



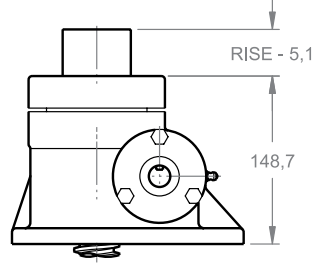
Inverted traveling nut



Inverted



Inverted keyed



Note: Drawings are artist's conception — not for certification; dimensions are subject to change without notice.