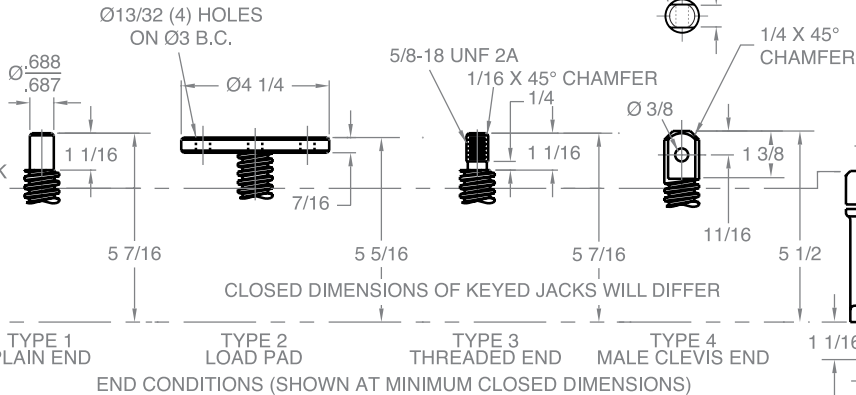
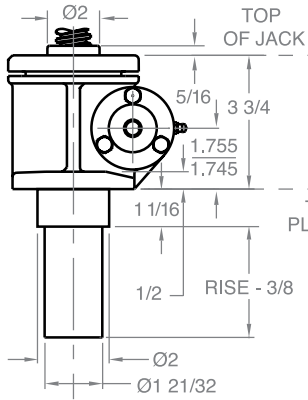


# STAINLESS STEEL JACKS

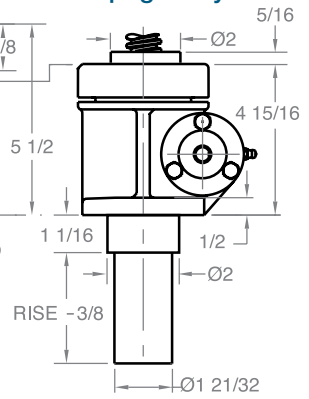
## 2 TON - 1" SCREW

SWJ 62 / DSWJ 62  
 SWJ 122 / DSWJ 122  
 SWJ 242 / DSWJ 242

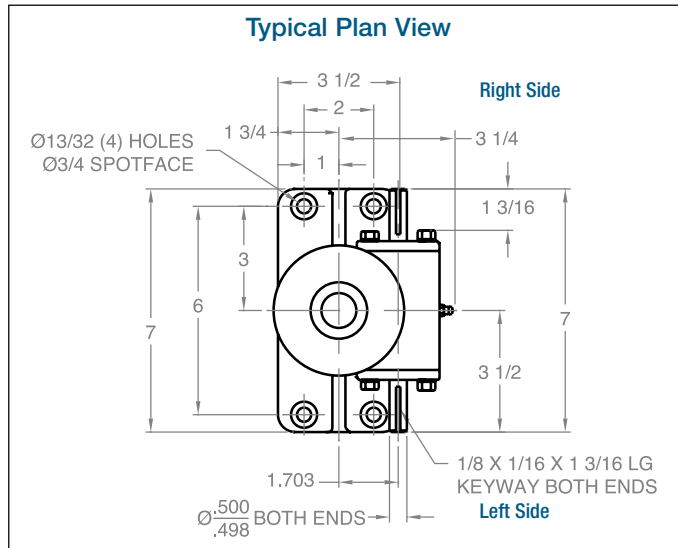
### Upright



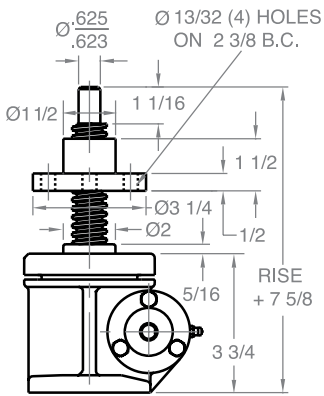
### Upright keyed



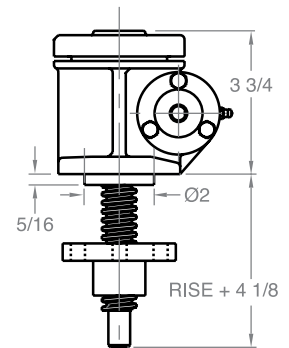
### Typical Plan View



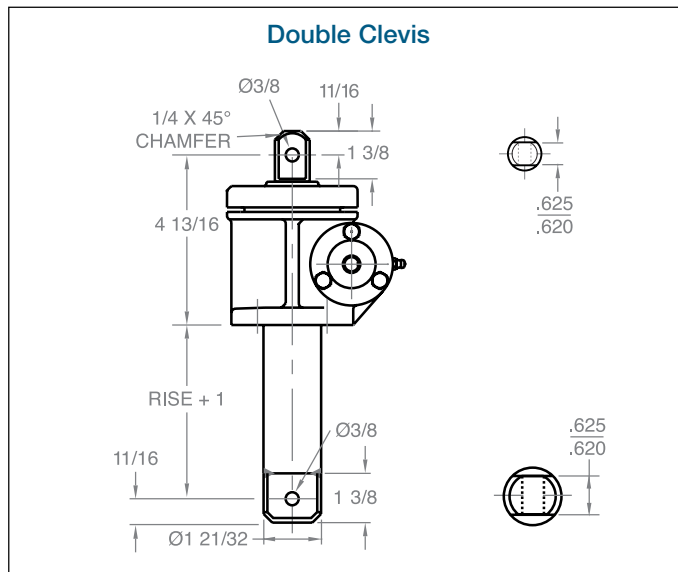
### Upright traveling nut



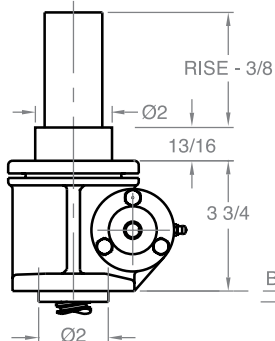
### Inverted traveling nut



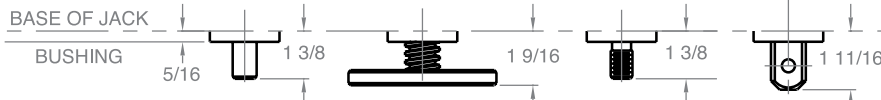
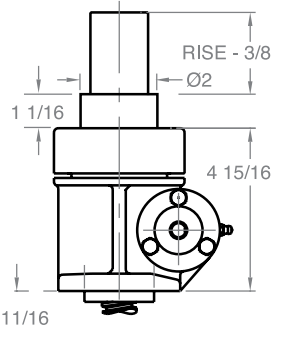
### Double Clevis



### Inverted



### Inverted keyed



Note: Drawings are artist's conception — not for certification; dimensions are subject to change without notice.