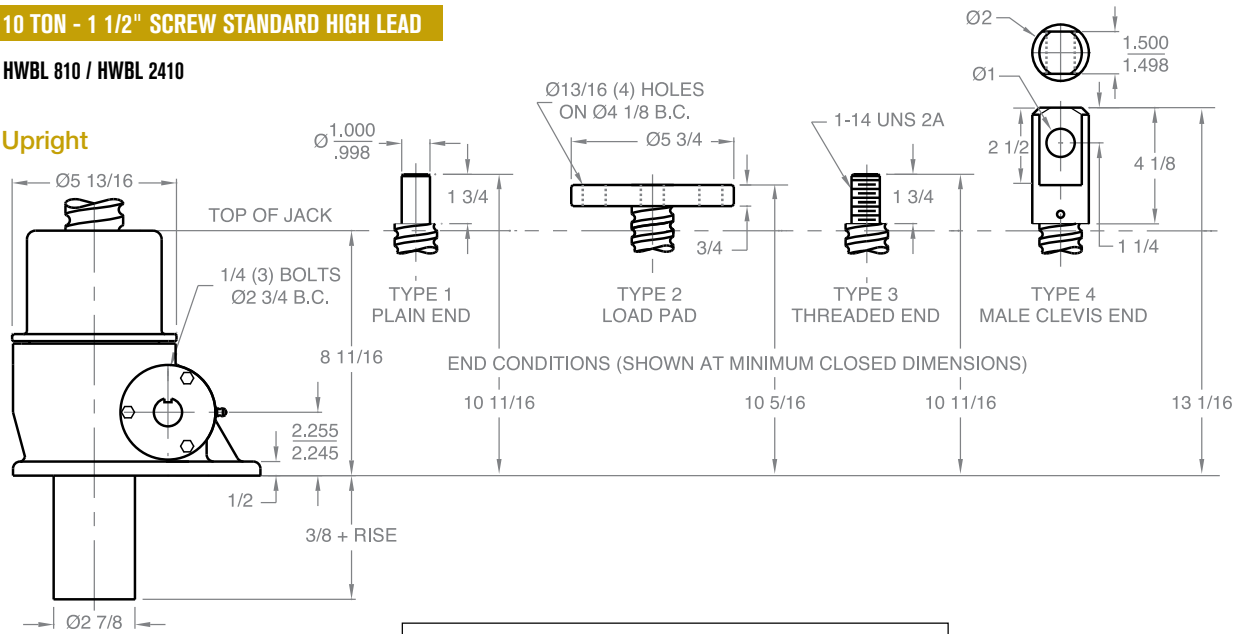


BALL SCREW JACKS

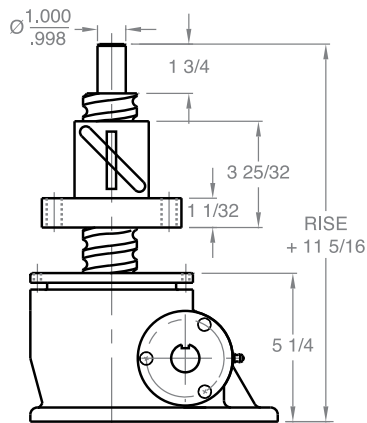
10 TON - 1 1/2" SCREW STANDARD HIGH LEAD

HWBL 810 / HWBL 2410

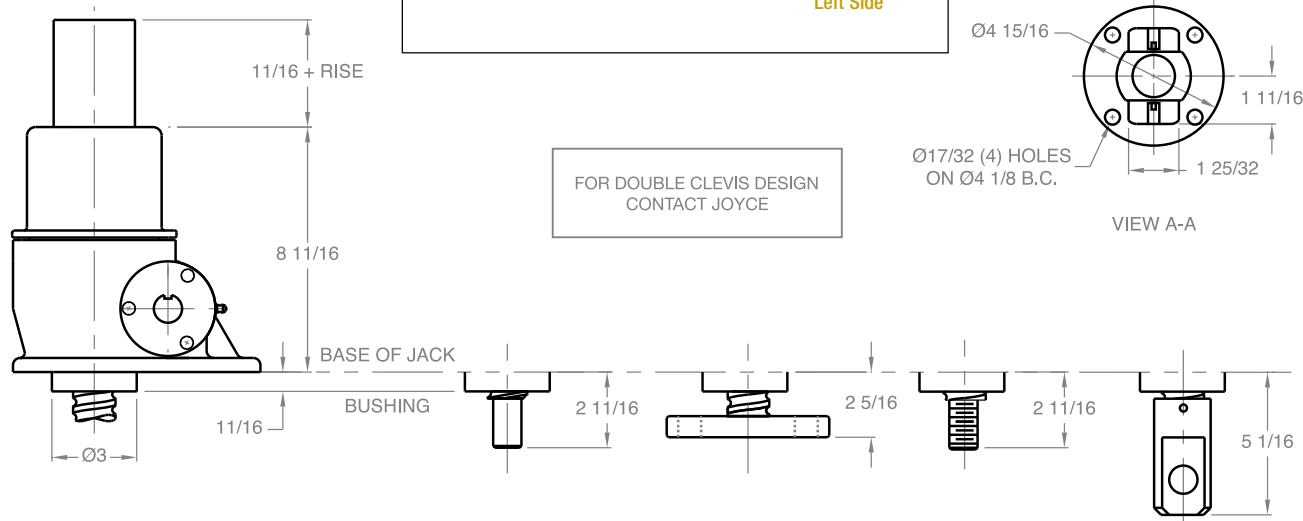
Upright



Upright traveling nut



Inverted



Note: Drawings are artist's conception — not for certification; dimensions are subject to change without notice.