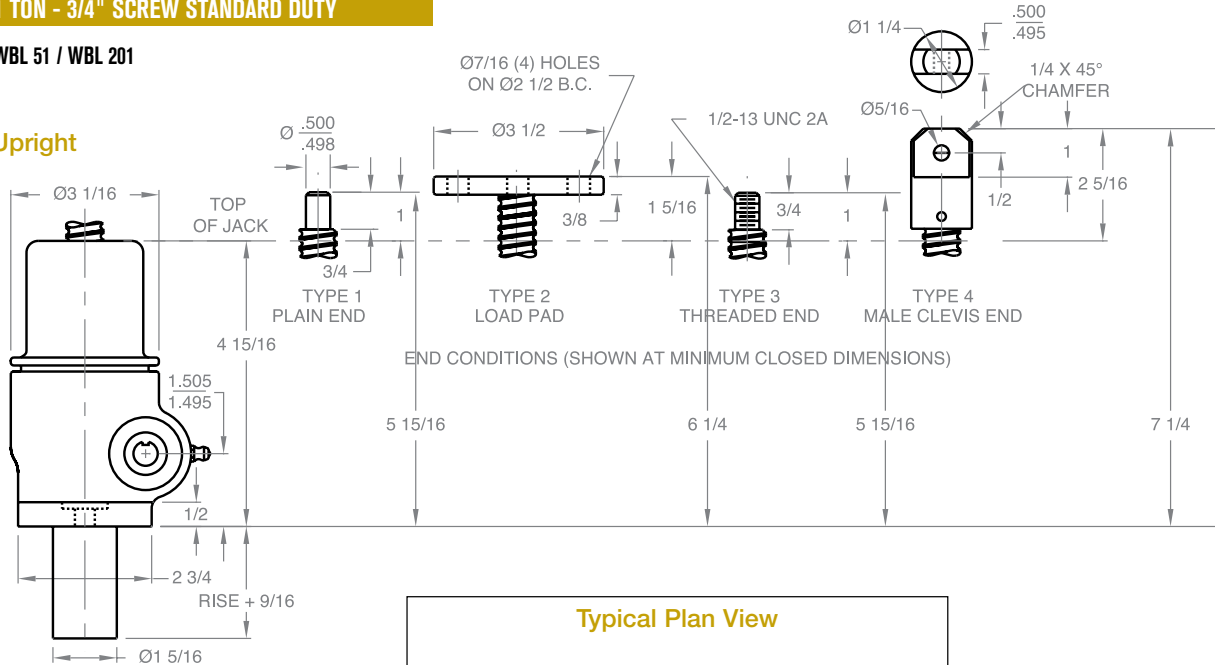


BALL SCREW JACKS

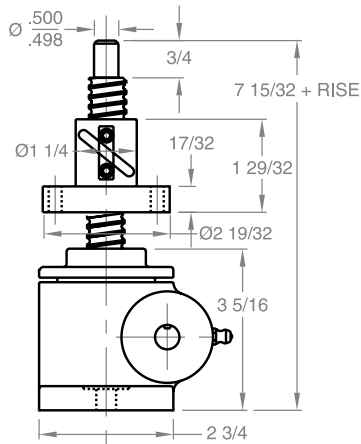
1 TON - 3/4" SCREW STANDARD DUTY

WBL 51 / WBL 201

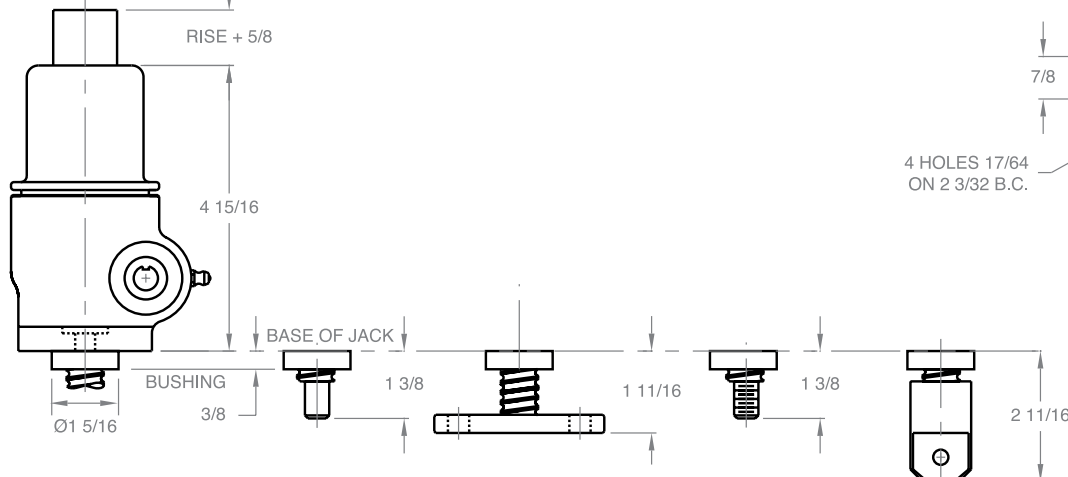
Upright



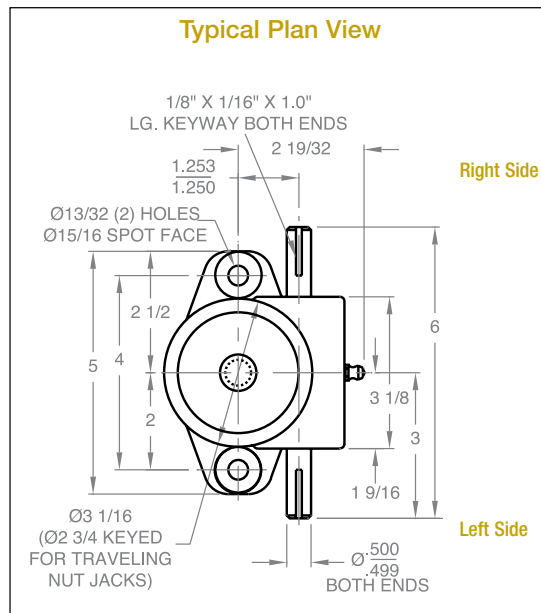
Upright traveling nut



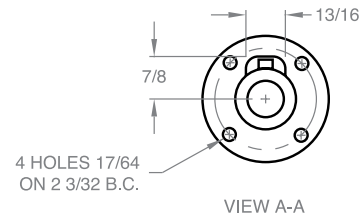
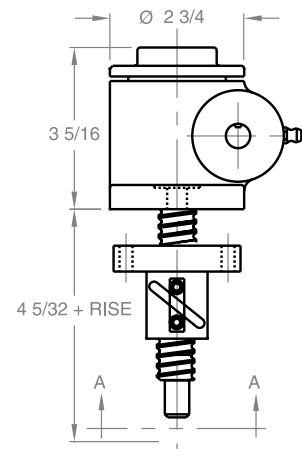
Inverted



Typical Plan View



Inverted traveling nut



Note: Drawings are artist's conception — not for certification; dimensions are subject to change without notice.