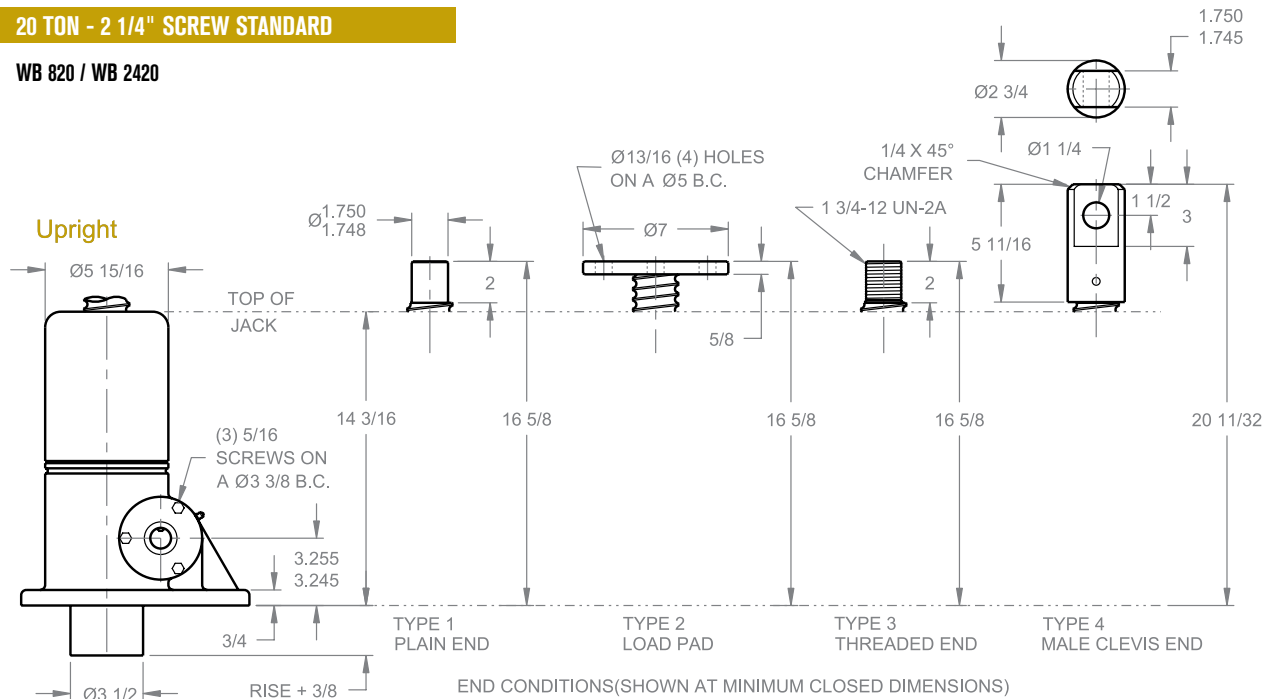


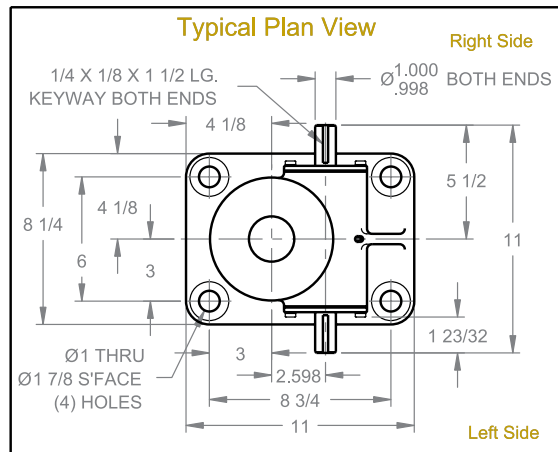
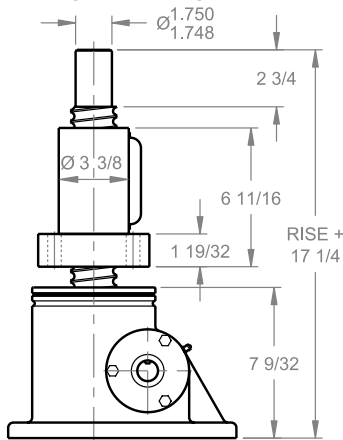
# BALL SCREW JACKS

20 TON - 2 1/4" SCREW STANDARD

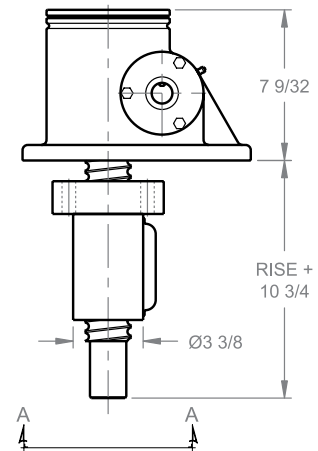
WB 820 / WB 2420



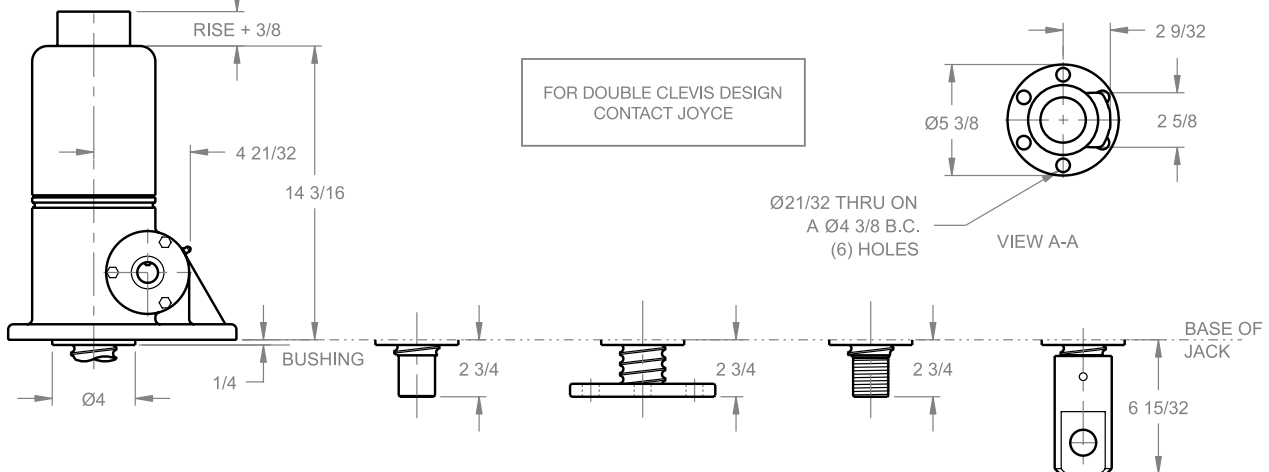
## Upright traveling nut



## Inverted traveling nut



## Inverted



Note: Drawings are artist's conception — not for certification; dimensions are subject to change without notice.